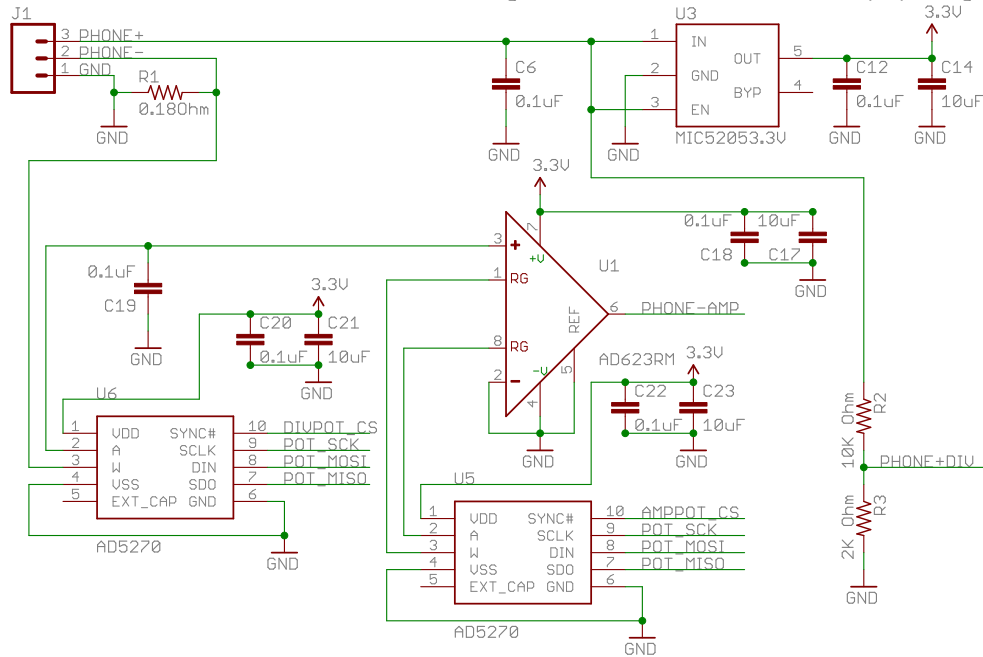
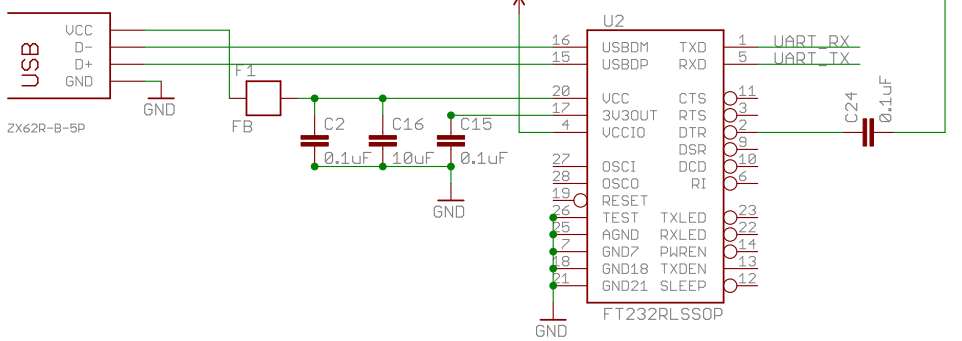


PHONE+ to PHONE- Max 6V
ADC Uref is 1.0V

Battery measure/supply

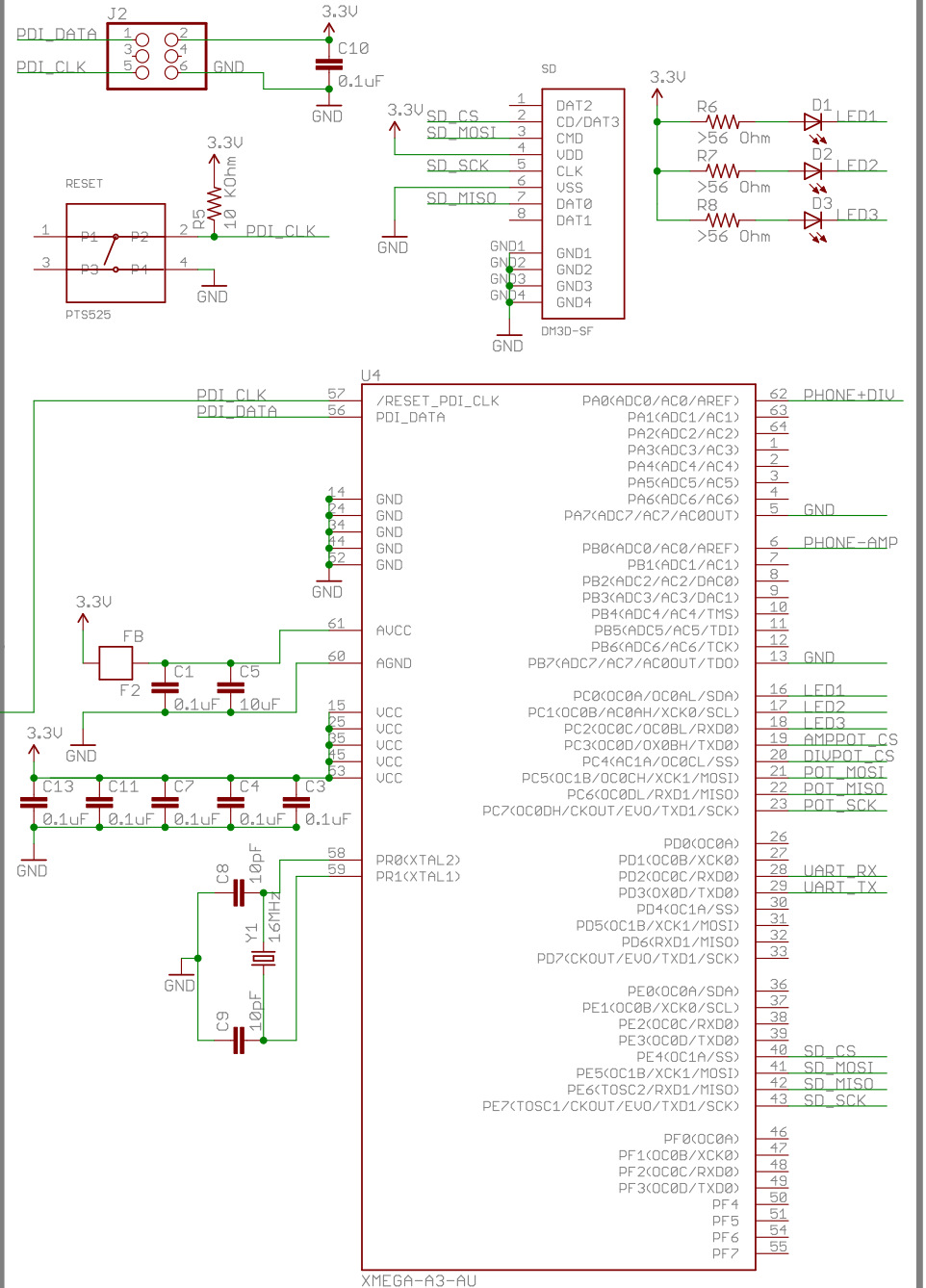


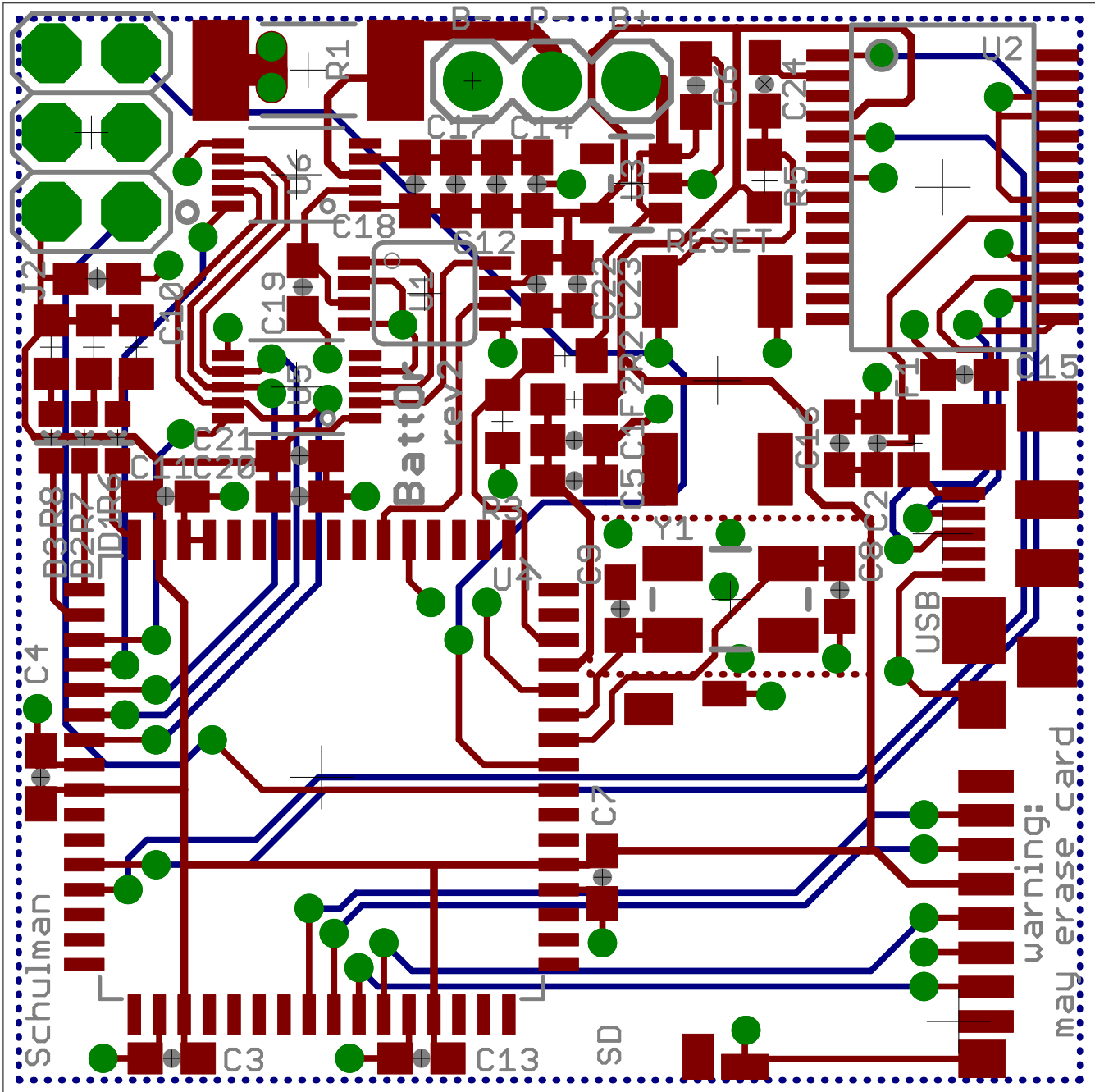
USB

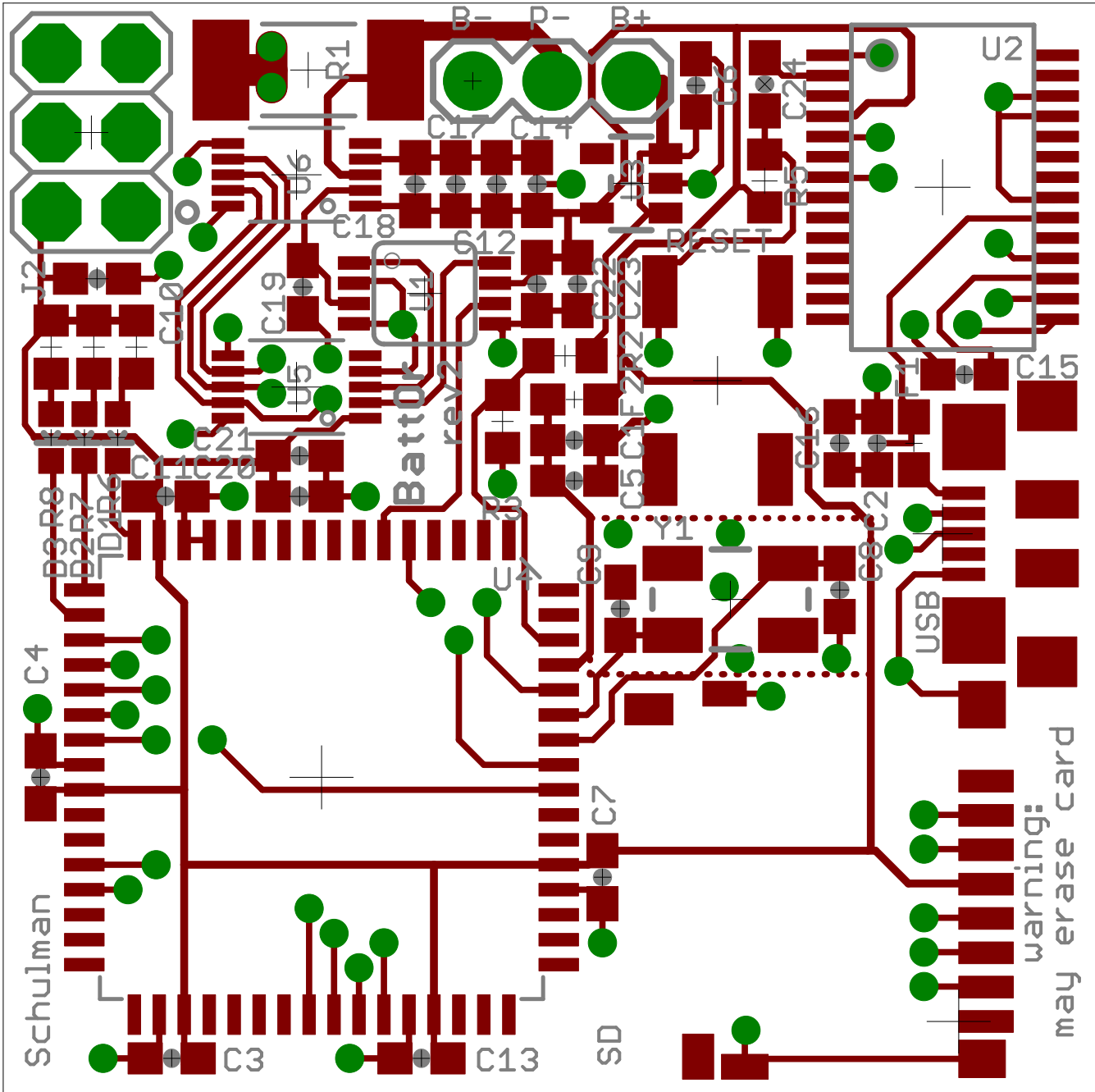


USB

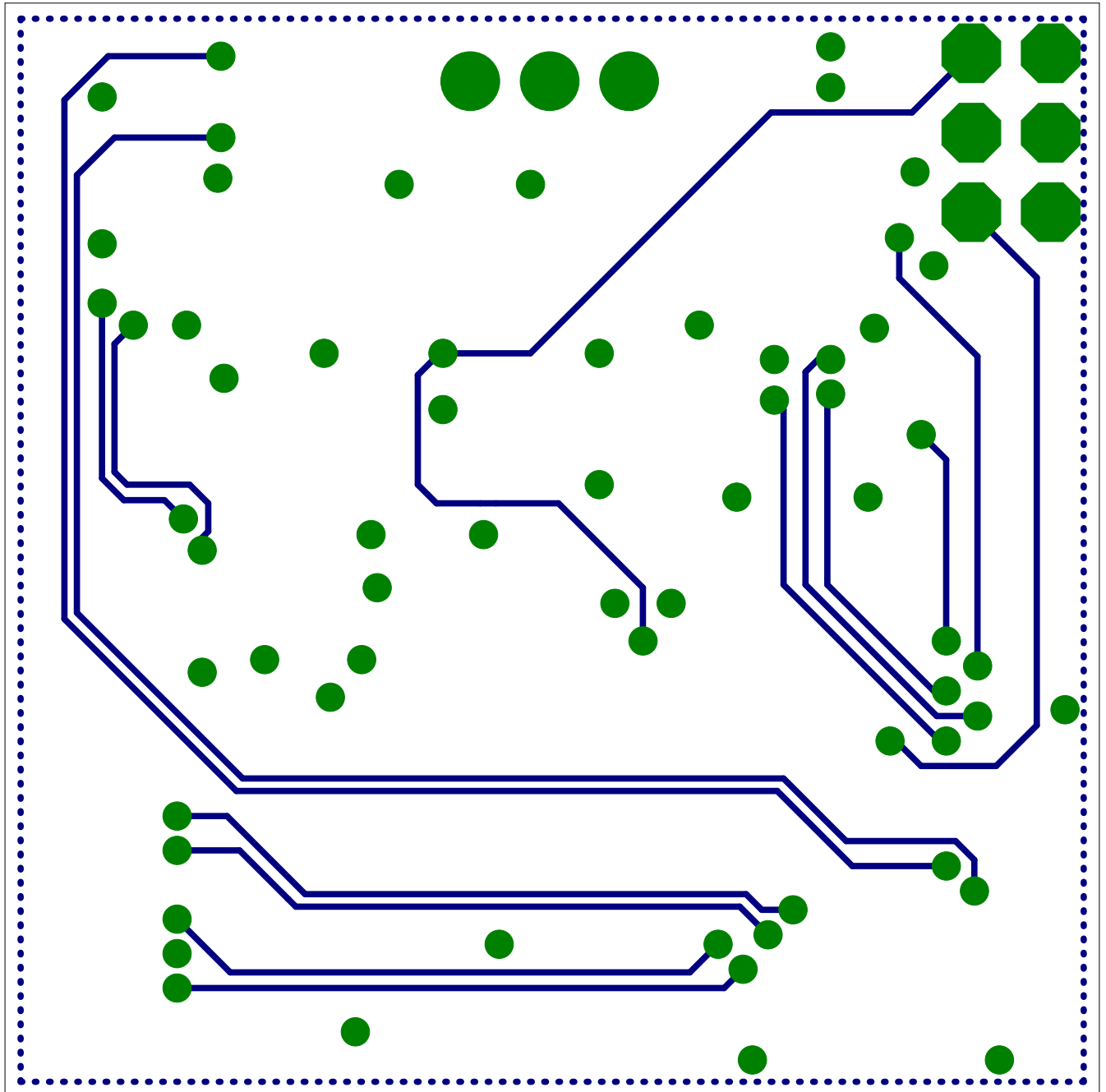
MCU



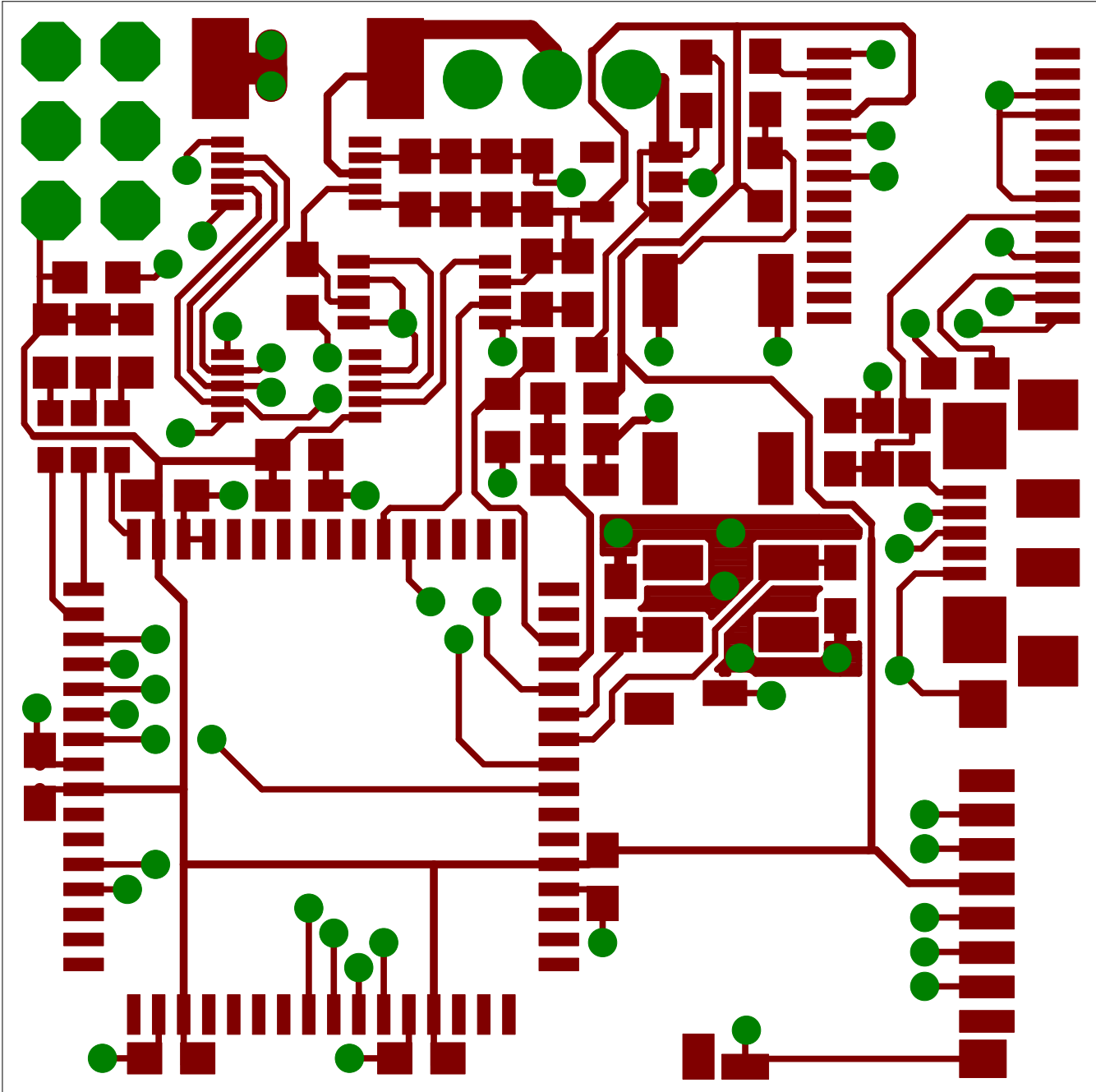




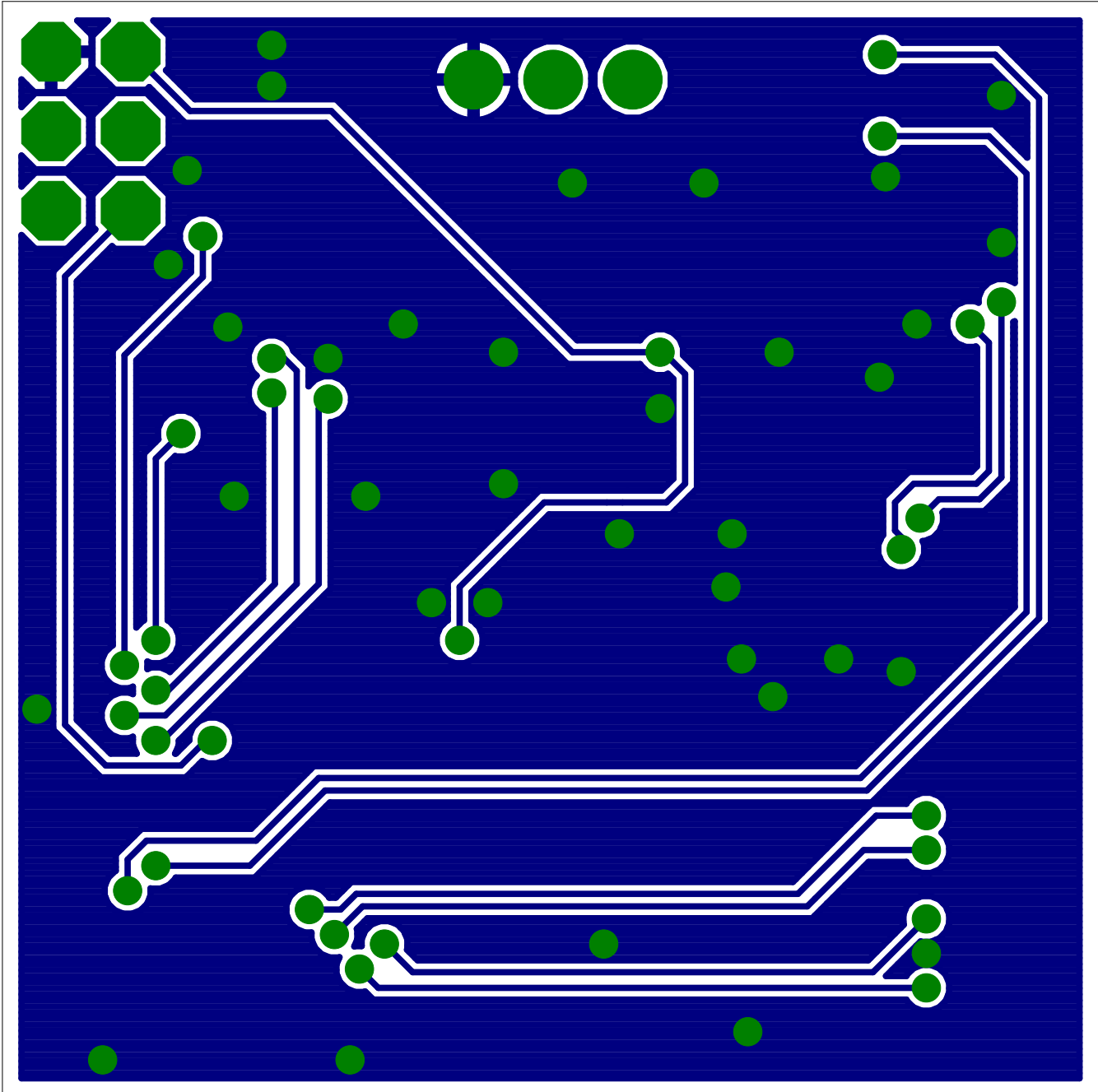
Bottom Layer

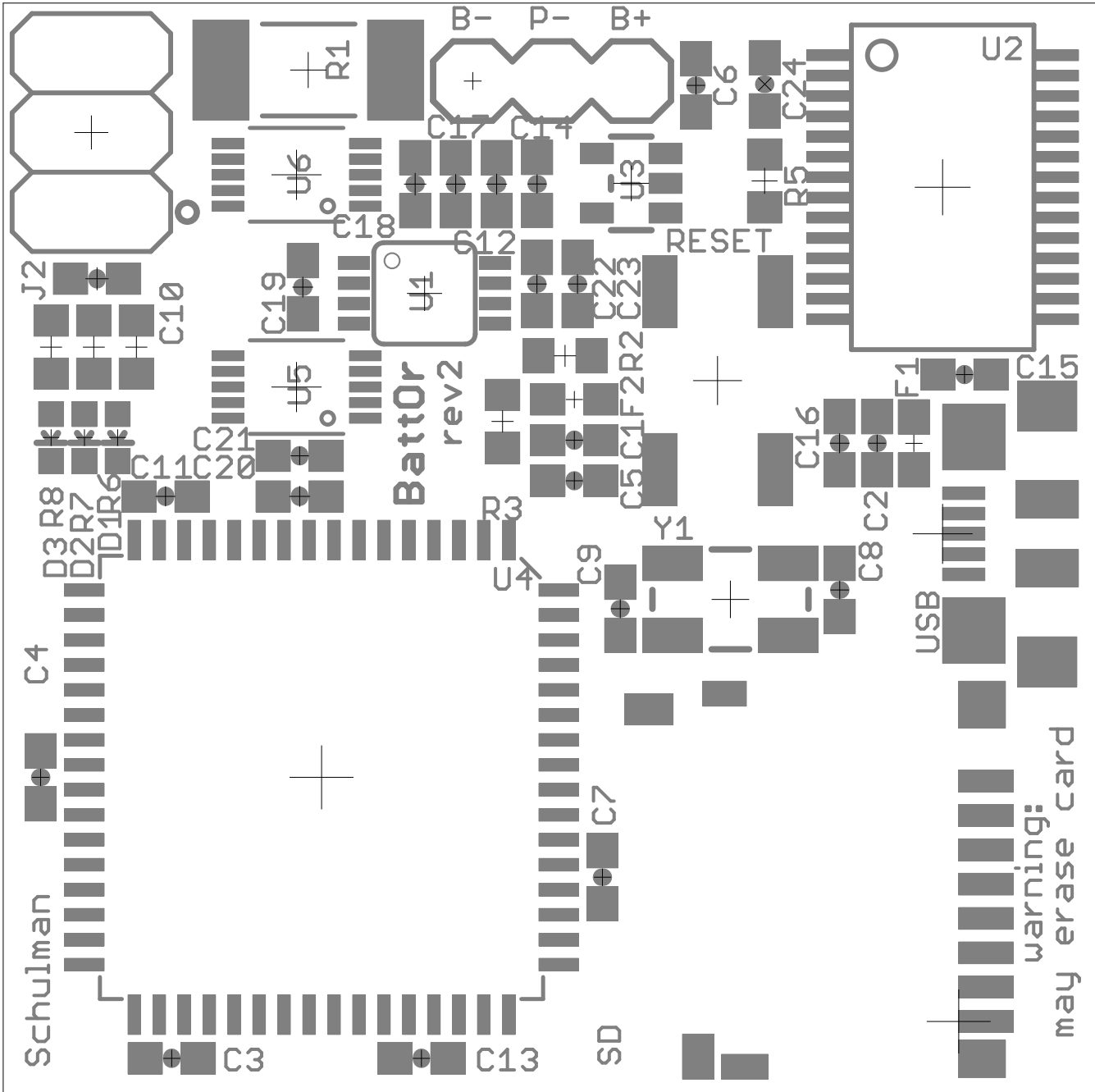


Top Copper Layer

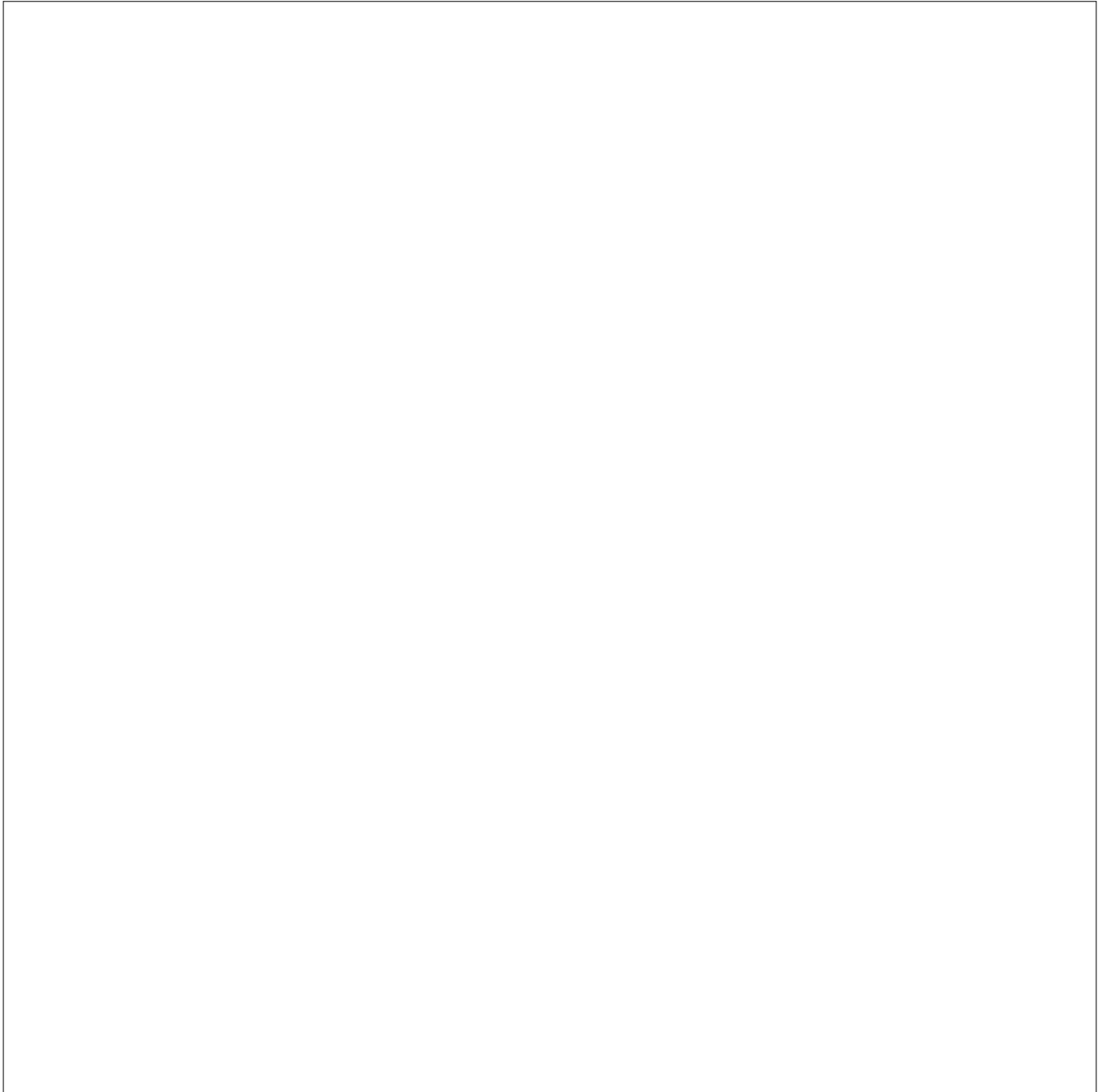


Bottom Copper Layer

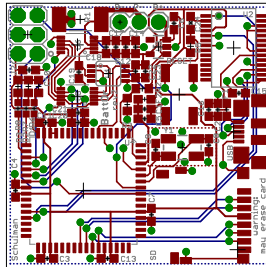




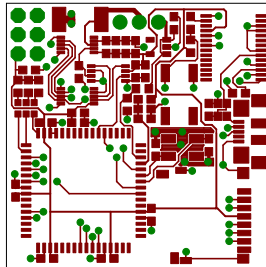
Bottom Paste Layer with Silkscreen



Top and Bottom Layers 1:1 Scale



Top Layer 1:1 Scale



Bottom Copper Layer 1:1 Scale

