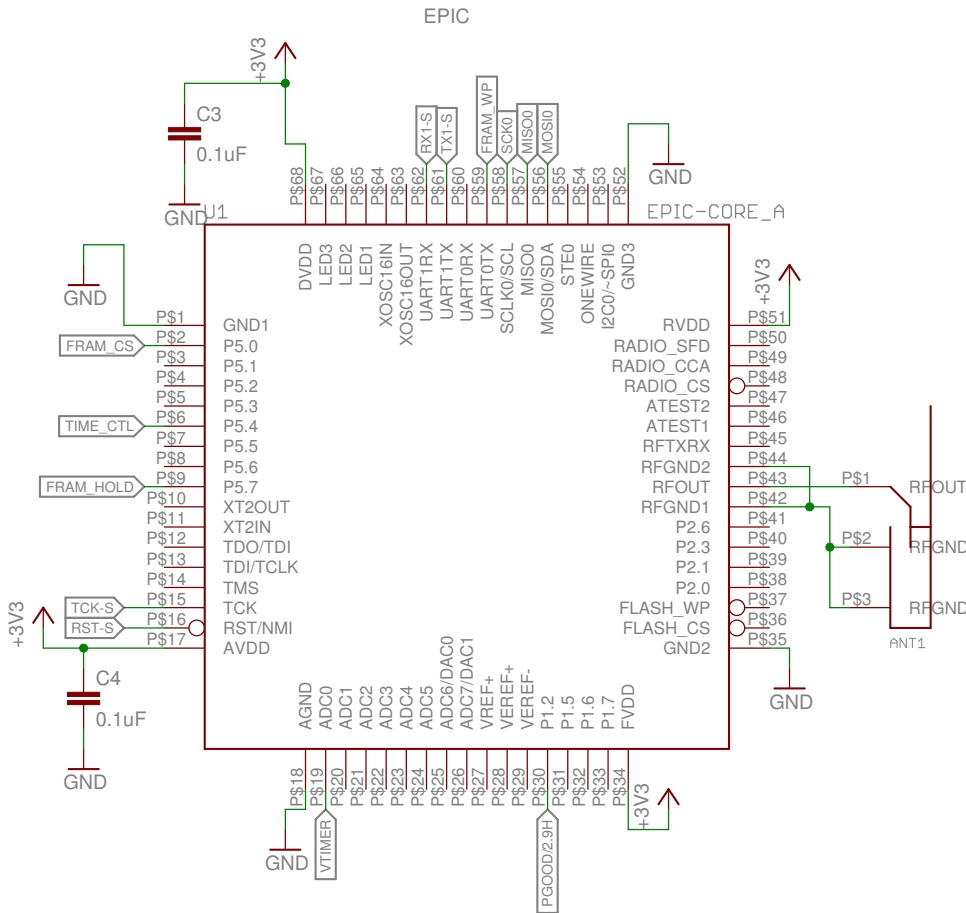
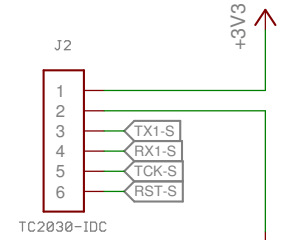
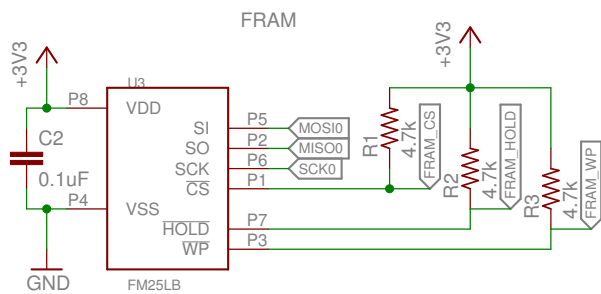
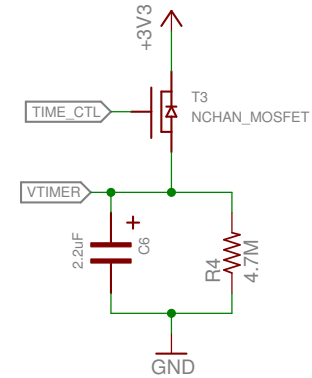


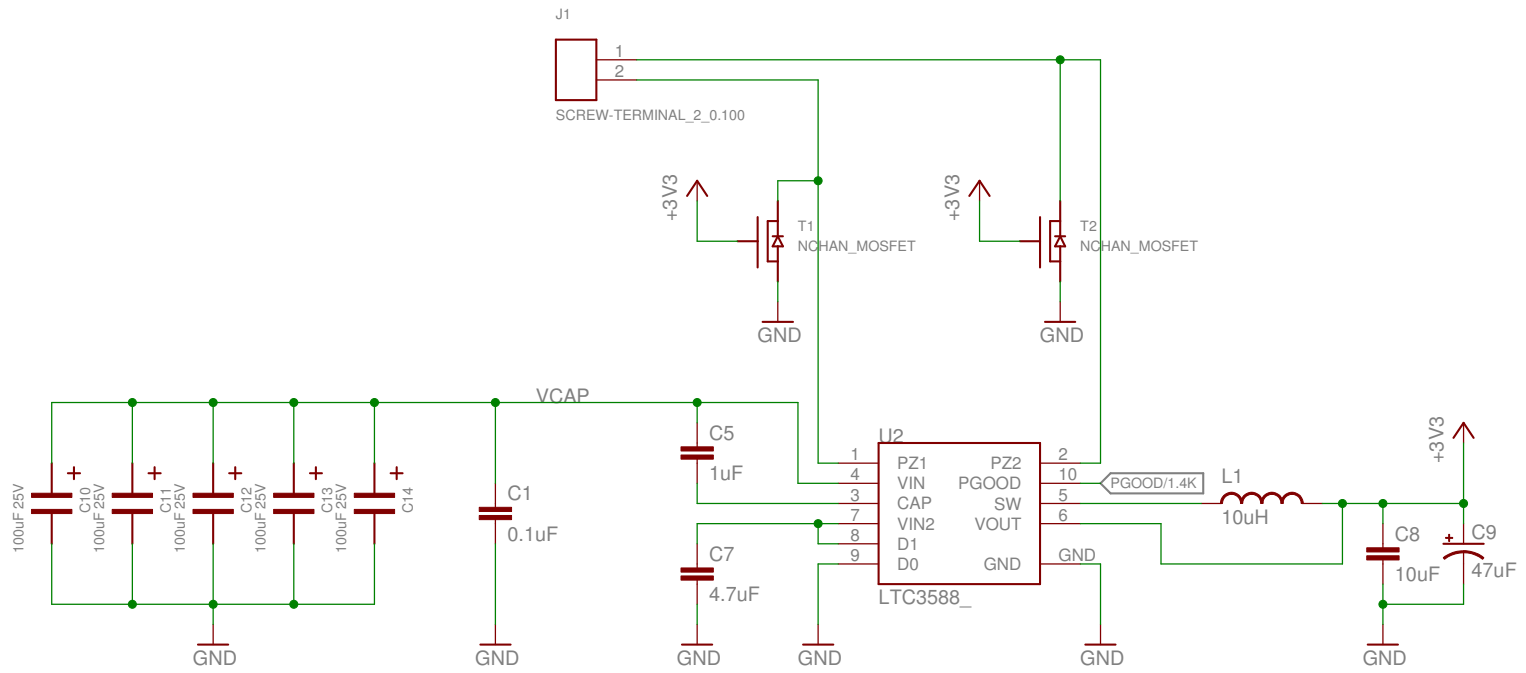


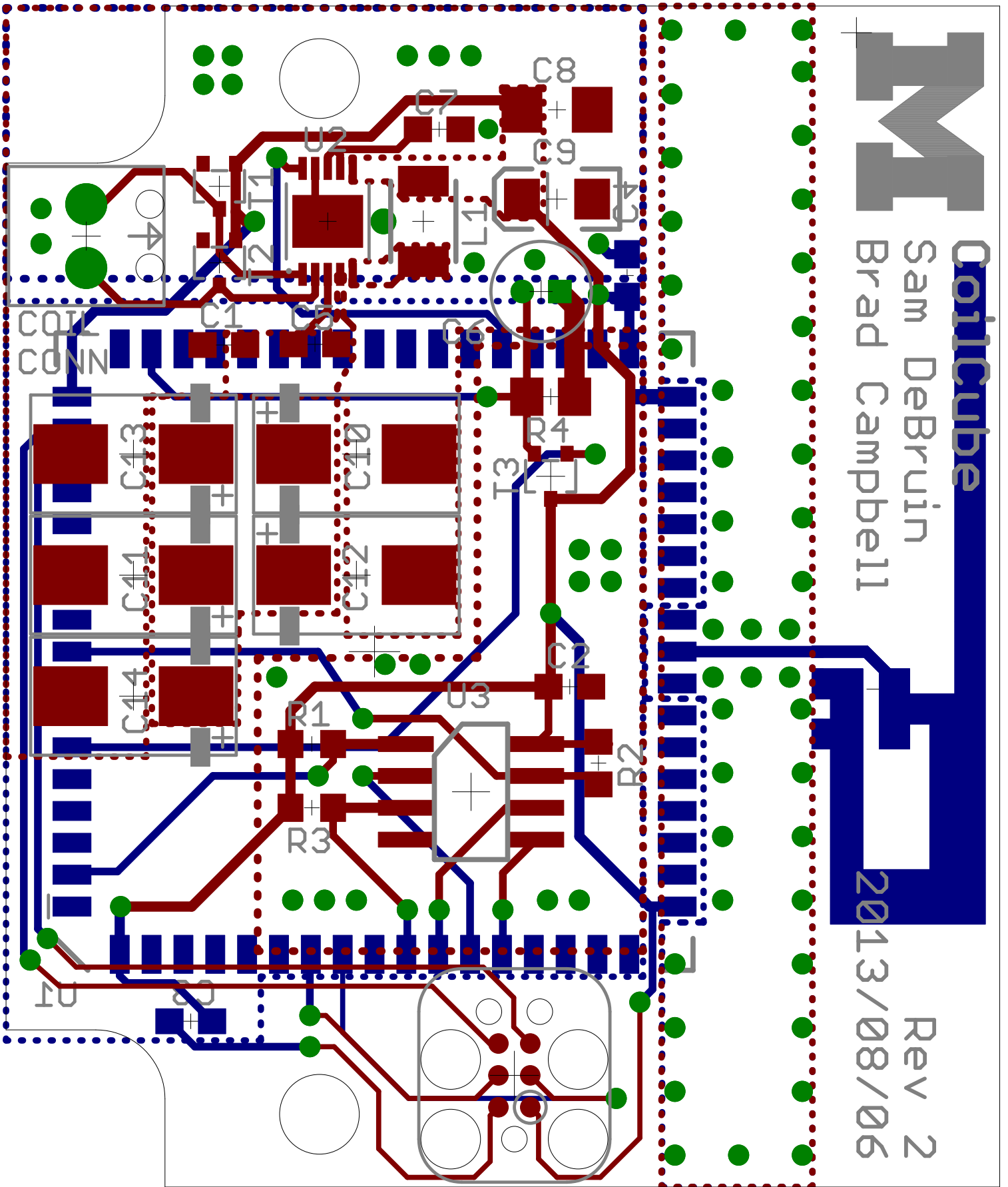
### Programmer Connection



### Timing Circuit



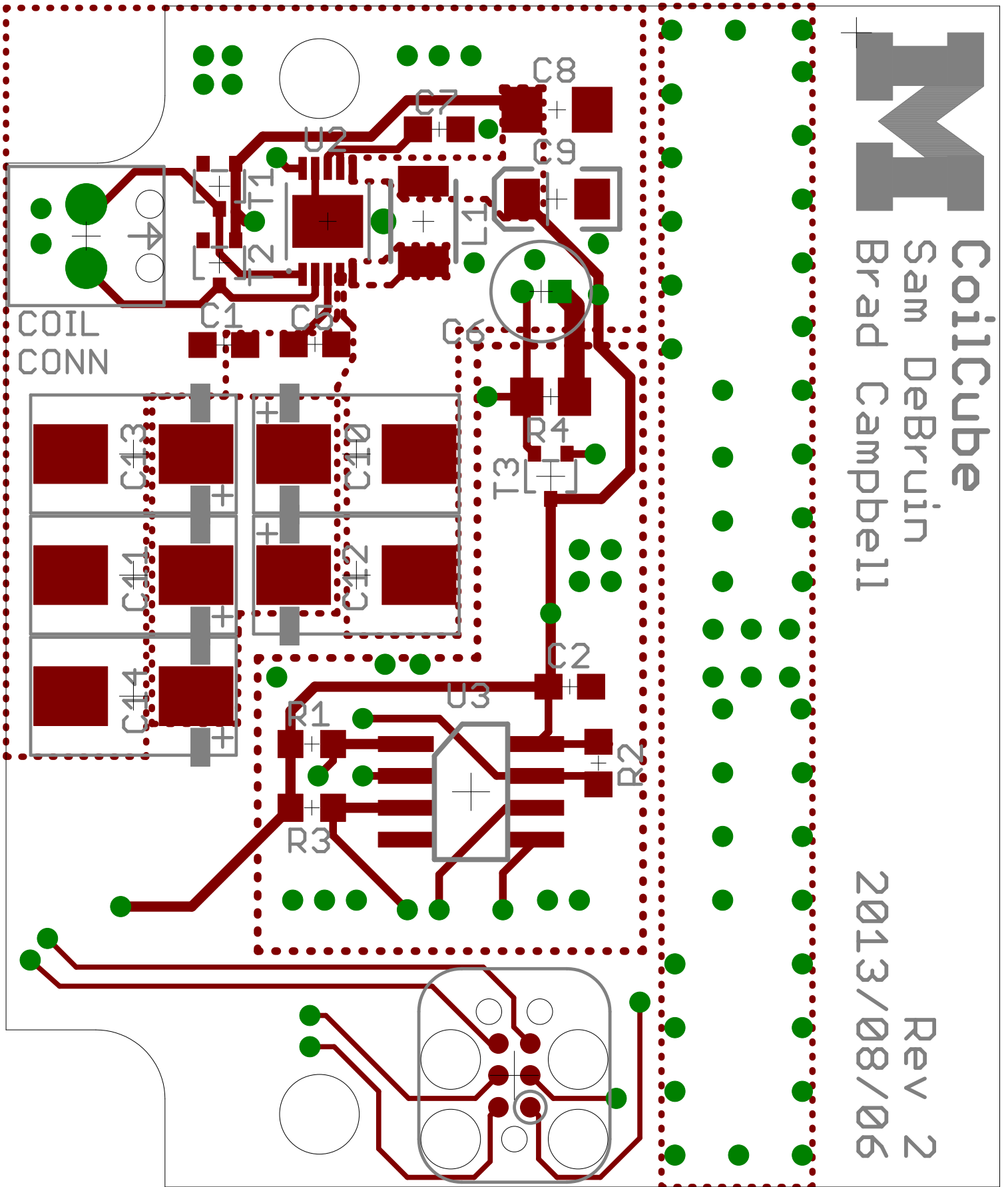




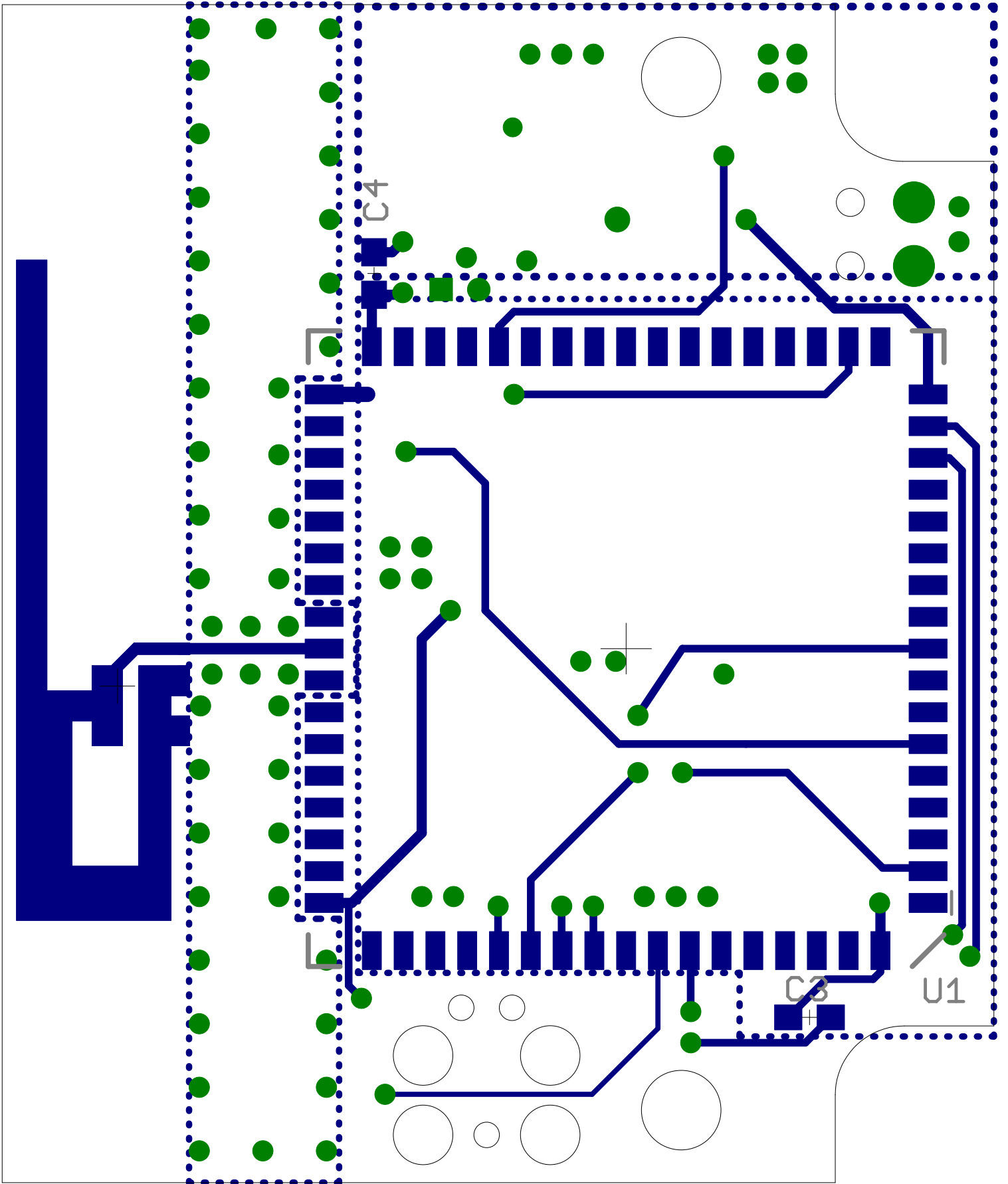
# MI

Cojicube  
Sam DeBruin  
Brad Campbell

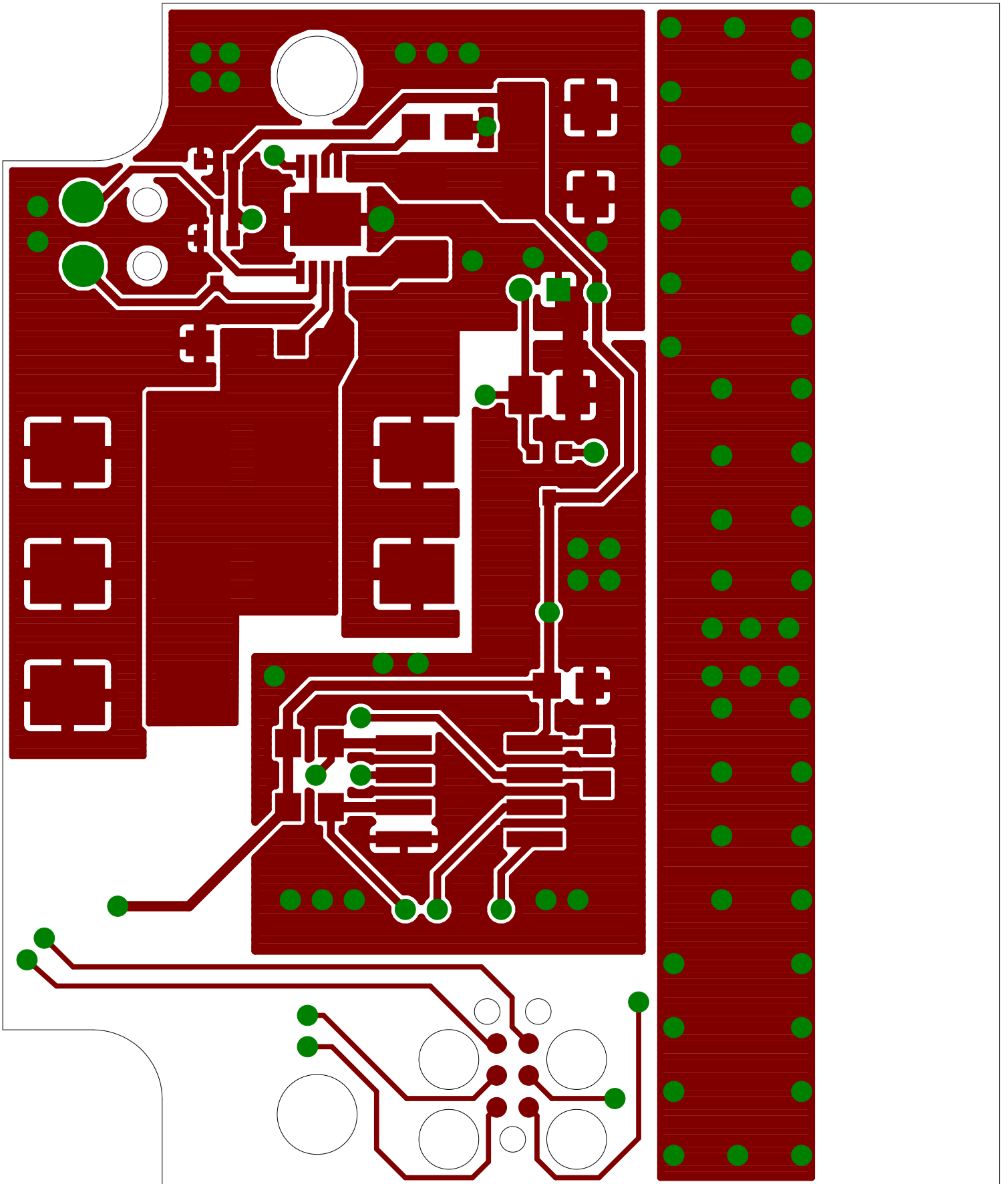
Rev 2  
2013/08/06



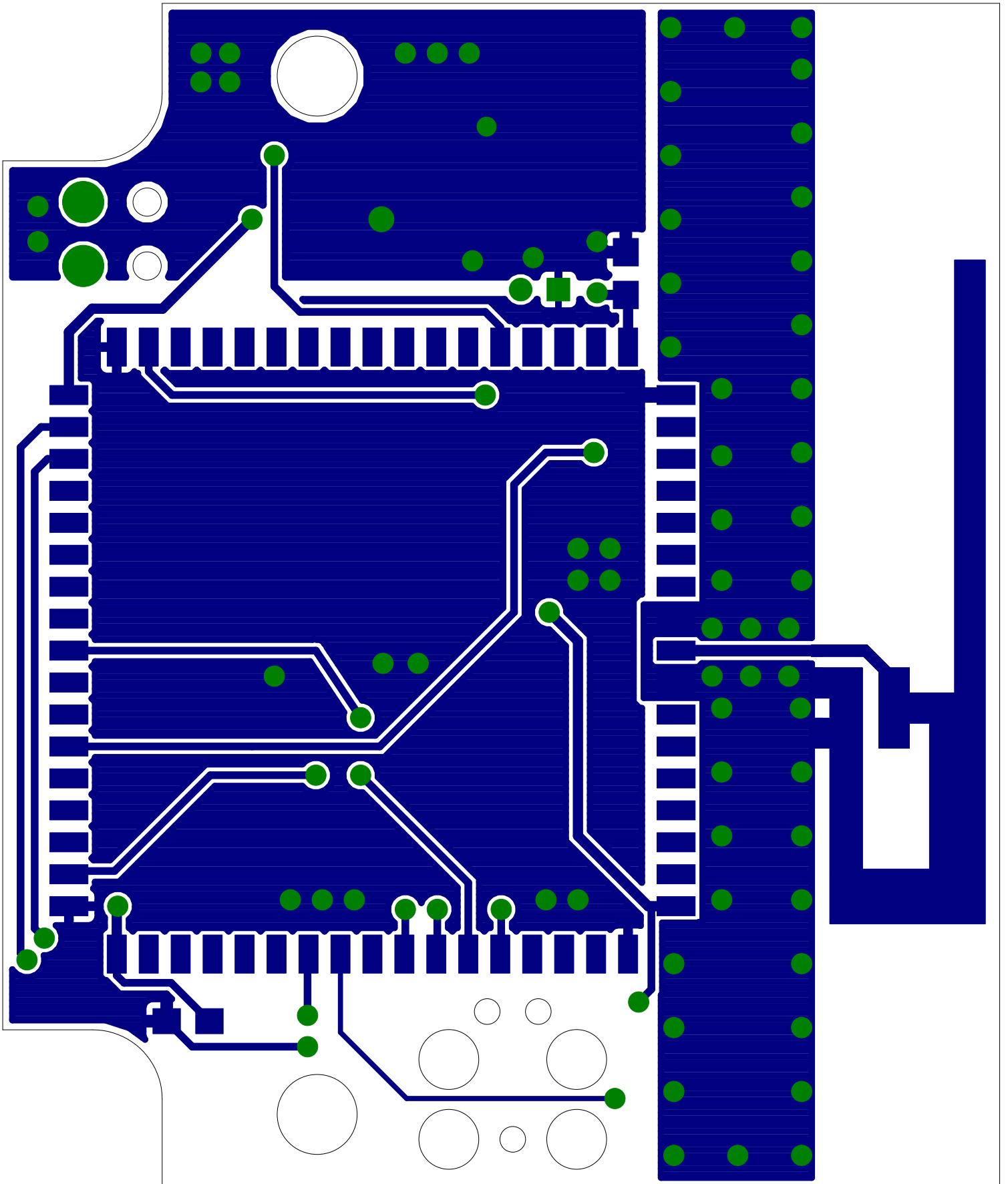
Bottom Layer

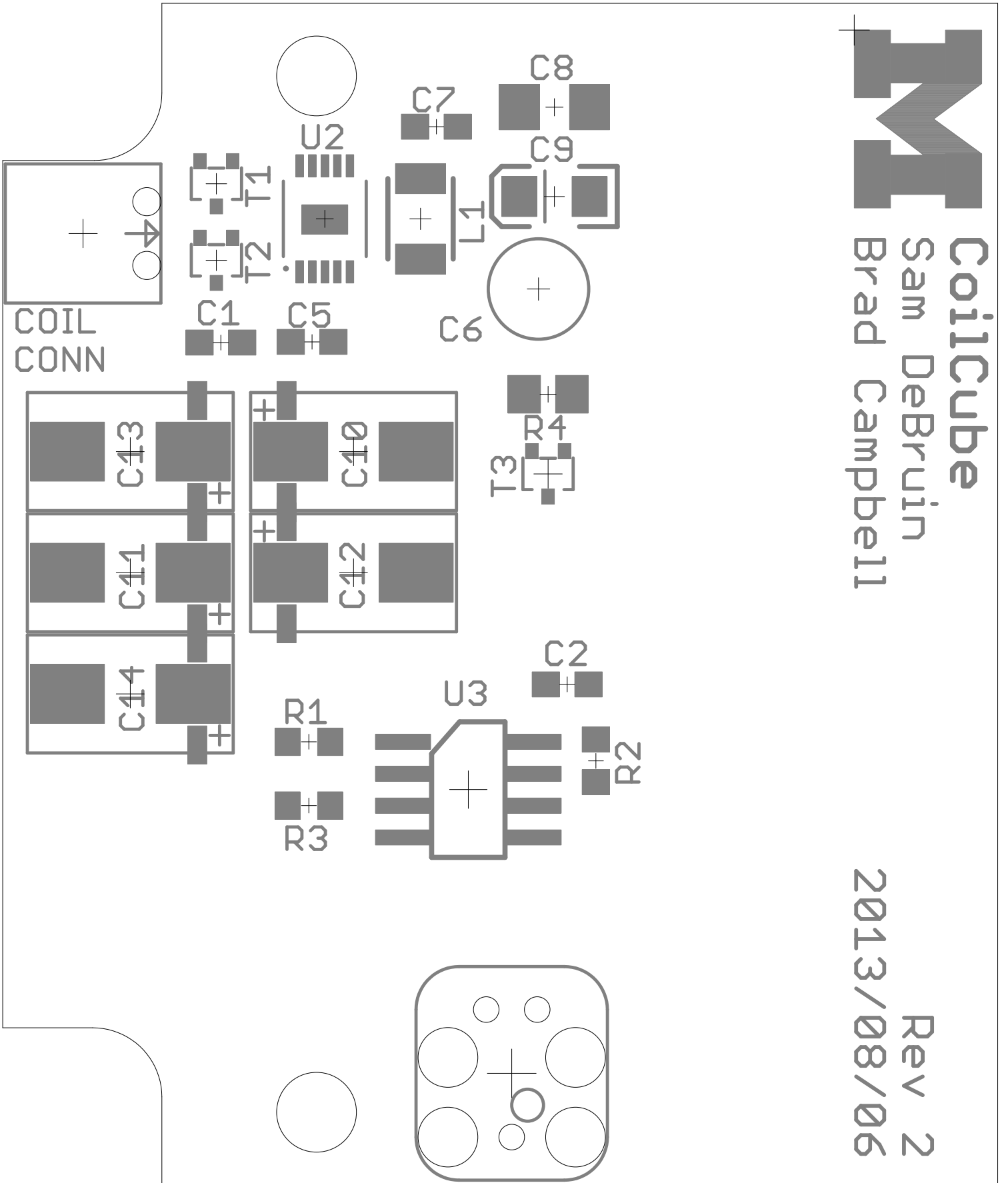


Top Copper Layer



Bottom Copper Layer



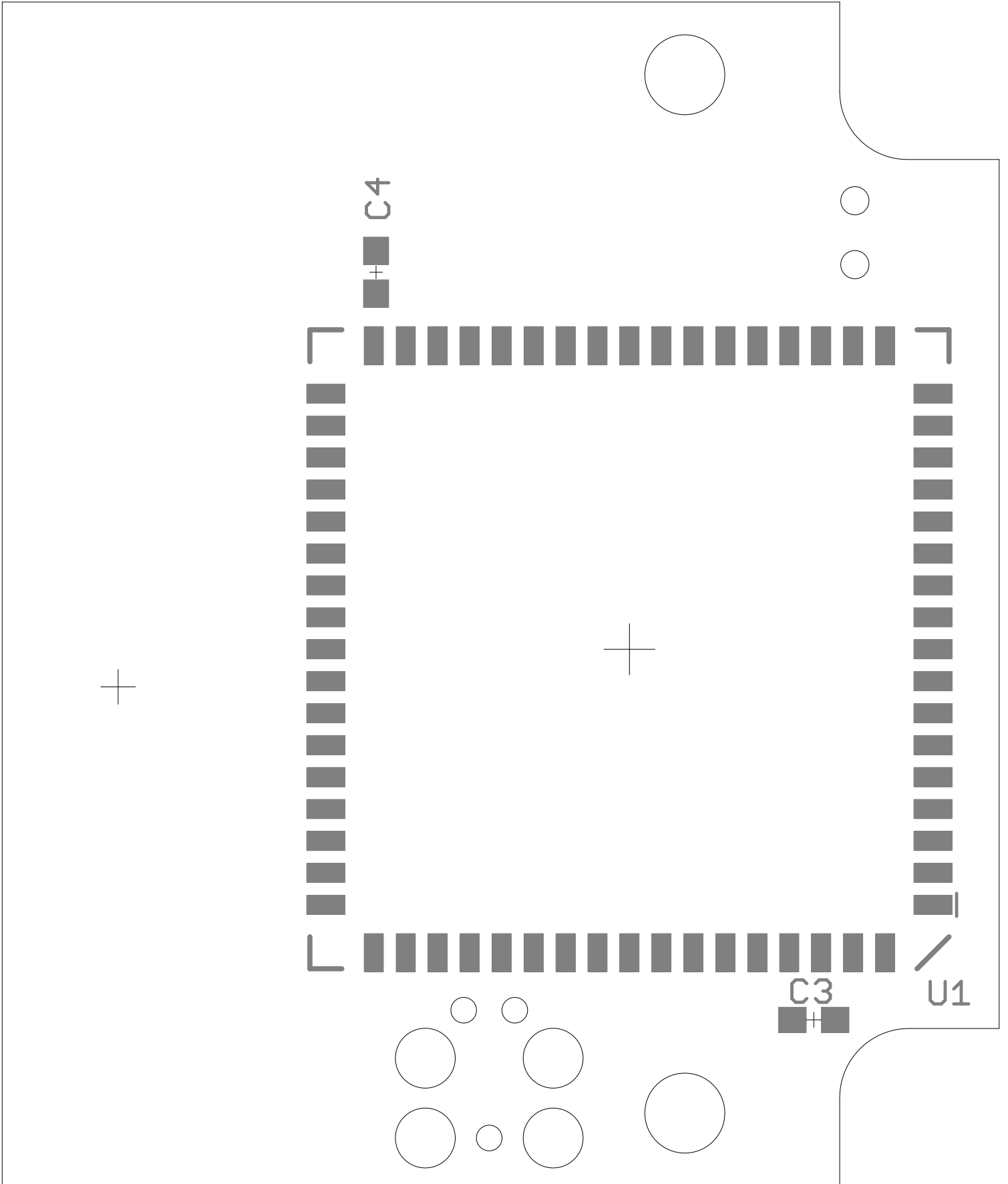


**ME** CoilCube  
Sam DeBruin  
Brad Campbell

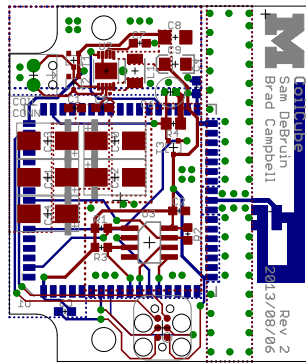
Rev 2  
2013/08/06



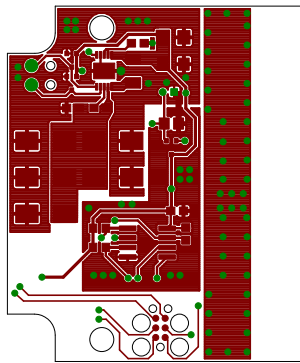
Bottom Paste Layer with Silkscreen



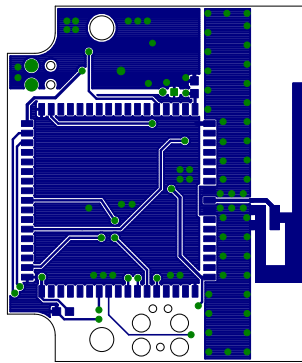
Top and Bottom Layers 1:1 Scale



Top Layer 1:1 Scale



Bottom Copper Layer 1:1 Scale



Sheet1

Qty	Value	Device	Package
	40.1uF	C-EUC0603	C0603
	11uF	C-EUC0603	C0603
	12.2uF	CAP_POLEA1MM5	CPOL_EEA_1MM5
	14.7uF	C-EUC0603	C0603
	110uF	C-EUC1206	C1206
	147uF	CAP_POL1206	EIA3216
	5 100uF 25V	2917_CAP_POL	2917_CAP_POL
	1 SCREW-TERMINAL_2_0.100	SCREW-TERMINAL_2_0.100	CONN_BLOCK_2
	1 10uH	INDUCTOR1210	1210
	3 4.7k	R-US_R0603	R0603
	1 4.7M	R-US_R0805	R0805
	2 NCHAN_MOSFET	NCHAN_MOSFET	NCHAN_MOSFET
	1 NCHAN_MOSFET	NCHAN_MOSFET	NCHAN_MOSFET
	1 EPIC-CORE_A	EPIC-CORE_A	EPIC-LCC68
	1 LTC3588_	LTC3588_	MSOP-10-GNDPAD
	1 FM25LB	FM25LB	SOIC_8

## Sheet1

Parts	Description	DIGIKEY
C1, C2, C3, C4	CAPACITOR, European symbol	445-1316-1-ND
C5	CAPACITOR, European symbol	445-1321-1-ND
C6		P14506-ND
C7	CAPACITOR, European symbol	445-5178-1-ND
C8	CAPACITOR, European symbol	399-8152-1-ND
C9	Capacitor Polarized	399-3700-1-ND
C10, C11, C12, C13, C14		399-5175-1-ND
J1	2x 0.100 in screw terminal block	277-1273-ND
L1	Inductors	587-1625-1-ND
R1, R2, R3	RESISTOR, American symbol	P4.7KGCT-ND
R4	RESISTOR, American symbol	P4.7MACT-ND
T1, T2		SI1302DL-T1-GE3CT-ND
T3		568-3244-1-ND
U1		
U2	Energy Harvesting Power Supply	LTC3588EMSE-1#PBF-ND
U3		428-3210-ND