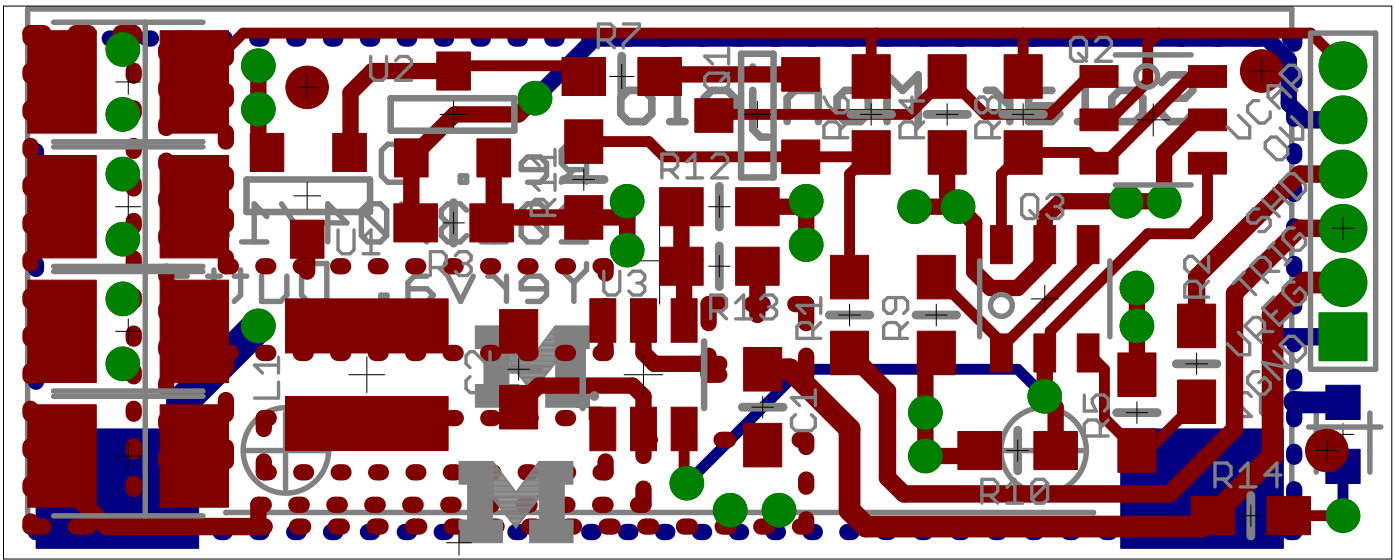
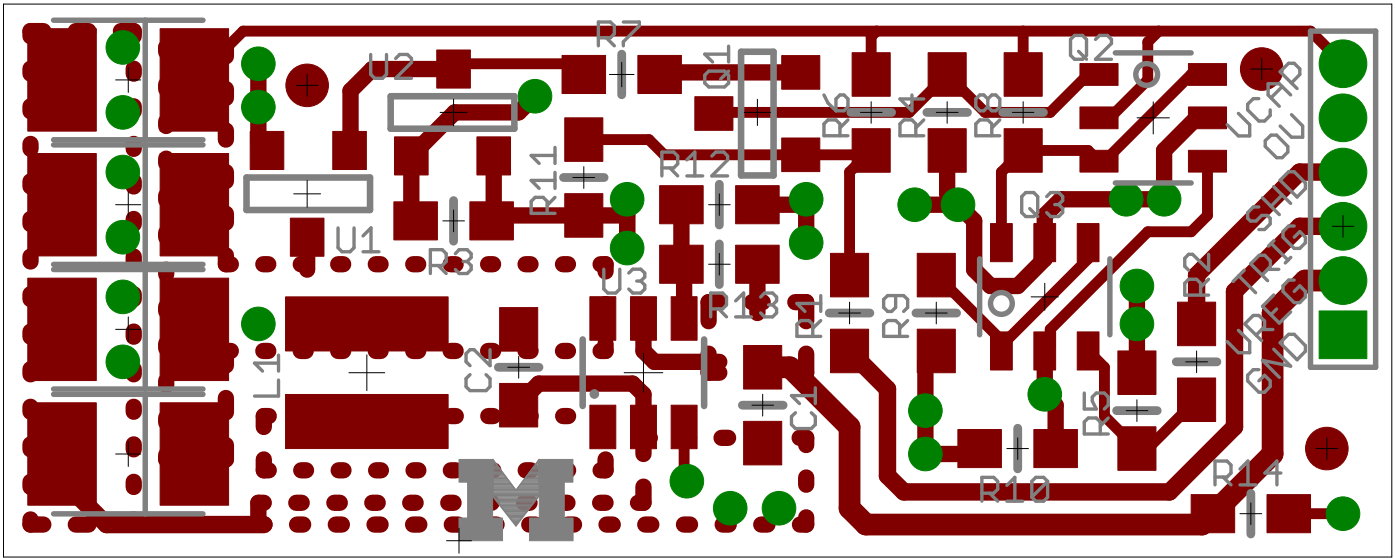


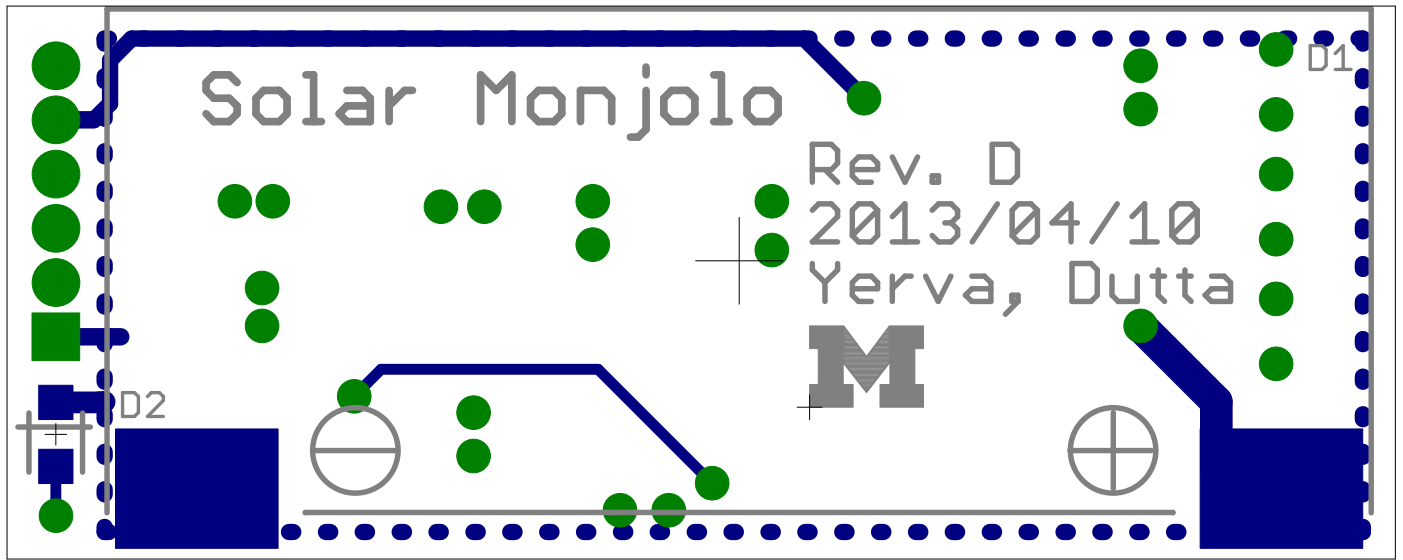
⊗ ⊗ ⊗

Lohit Yerva, Prabal Dutta University of Michigan		<b>M</b>
TITLE: monjolo_d		
Document Number:		REV: D
Date: 11/26/13 2:30 PM	Sheet: 1/1	

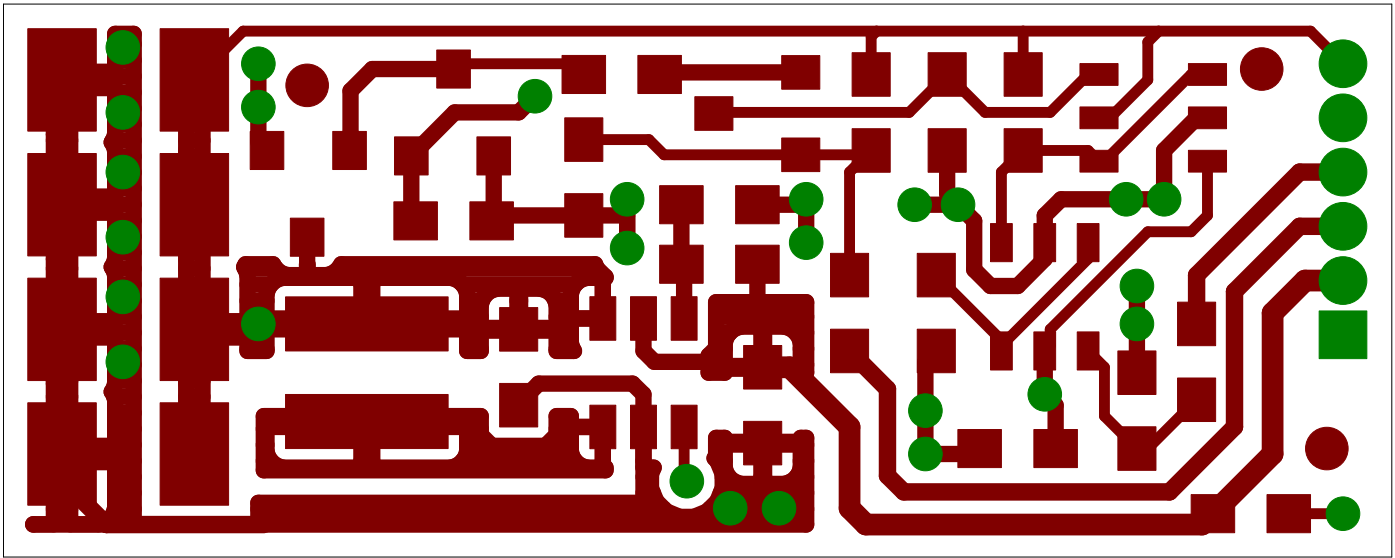
Top and Bottom Layers



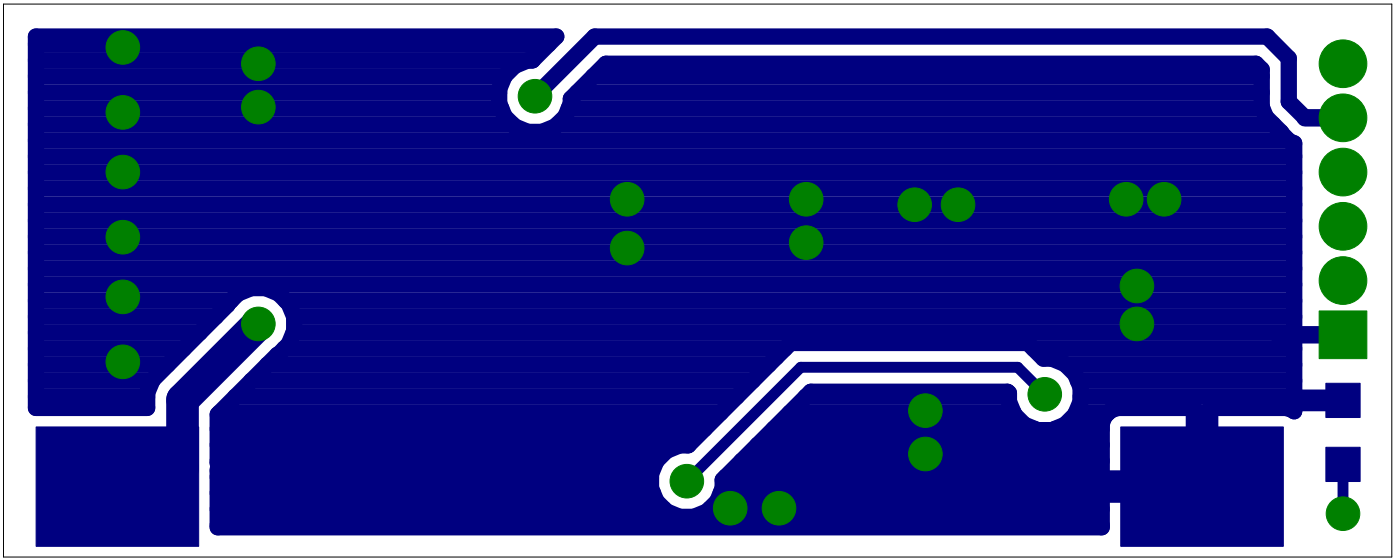


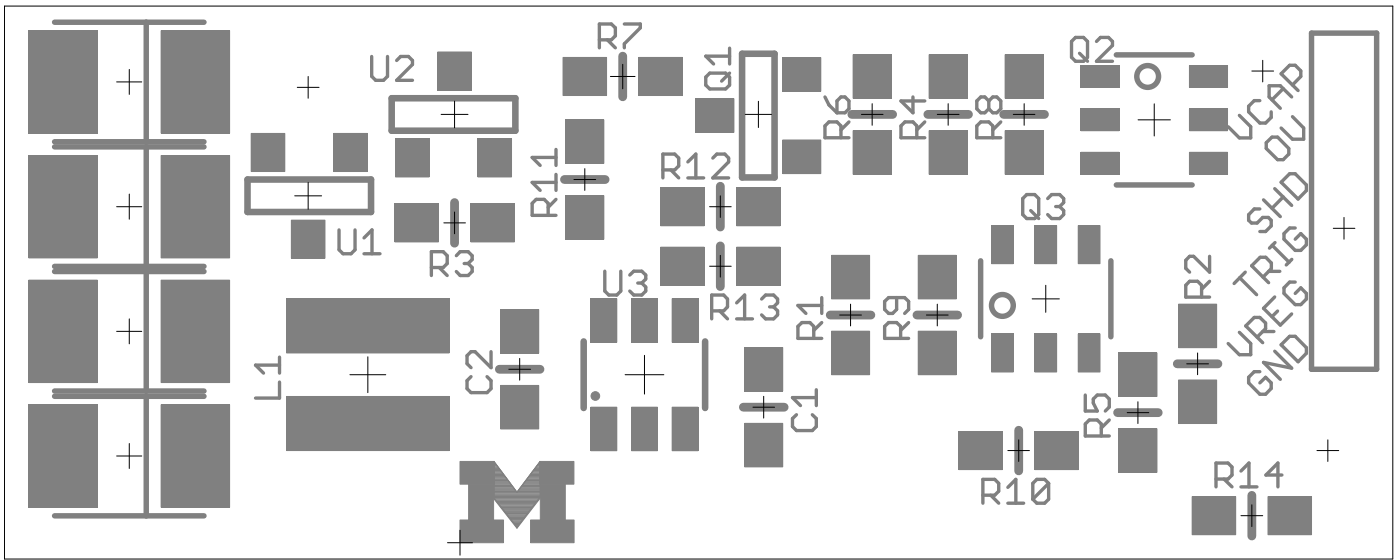


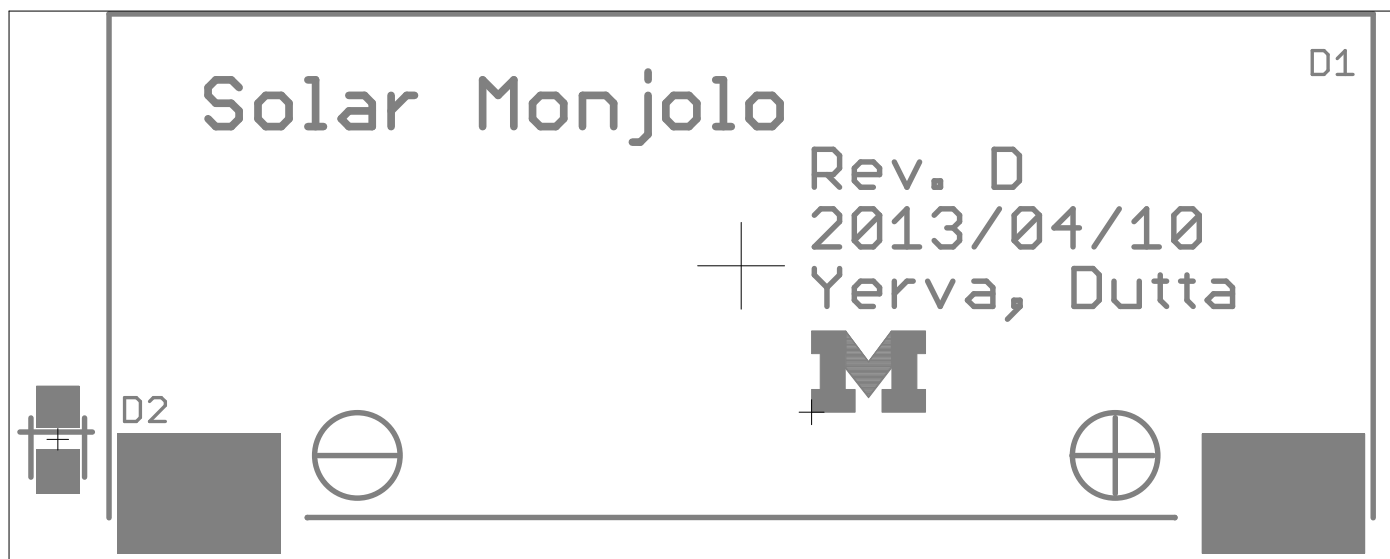
Top Copper Layer



Bottom Copper Layer

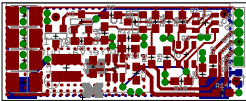




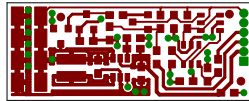




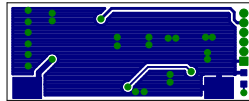
Top and Bottom Layers 1:1 Scale



Top Layer 1:1 Scale



Bottom Copper Layer 1:1 Scale



Qty	Value	Layout	Parts	Digikey Part #	Coilcraft	Discription	Notes
1	10uF	C0603	C1	445-7486-6-ND		CAP CER 10UF 10V 10% X5R 0603	
1	4.7uF	C0603	C2	490-3297-6-ND		CAP CER 4.7UF 6.3V 10% X5R 0603	
4	100uF	C1206	C3, C4, C5, C6	478-3130-1-ND		CAP TANT 100UF 6.3V 20% 1210	
1	AM-1437	Solar cell	D1				Customer supplied.
1	LED	LED0603	D2	160-1837-6-ND		LED BLUE CLEAR 0603 SMD	
1	4.7uH	L-US	L1		EPL3012-472MLB	4.7 UH INDUCTOR	
1	PMOS	SOT23-3	Q1	SI2305ADS-T1-GE3DKR-ND		MOSFET P-CH 8V 5.4A SOT23-3	
2	MOSFET NP-CH	6-TSOP	Q2, Q3	SI3585DV-T1-E3DKR-ND		MOSFET N/P-CH 20V 2A/1.5A 6-TSOP	
3	1K	R0603	R1, R2, R3	RHM1.00KCFDKR-ND		RES 1.00K OHM 1/10W 1% 0603 SMD	
4	100K	R0603	R4, R5, R7, R11	RHM100KCFDKR-ND		RES 100K OHM 1/10W 1% 0603 SMD	
DNP	100K	R0603	R6	RHM100KCFDKR-ND		RES 100K OHM 1/10W 1% 0603 SMD	To use External Trigger solder R6 instead of R11
3	470K	R0603	R8, R9, R10	RHM470KHDKR-ND		RES 470K OHM 1/10W 1% 0603 SMD	
1	649K	R0603	R12	541-649KHDKR-ND		RES 649K OHM 1/10W 1% 0603 SMD	
1	976K	R0603	R13	541-976KHDKR-ND		RES 976K OHM 1/10W 1% 0603 SMD	
1	470	R0603	R14	RHM470CFDKR-ND		RES 470 OHM 1/10W 1% 0603 SMD	
1	MN1382S 2.0V	SOT23-3	U1	TC54VC2102ECB713DKR-ND		IC VOLT DETECT 2.0V CMOS SMD	
1	TC54VC 2.9V	SOT23-3	U2	TC54VC2902ECB71DKR-ND		IC VOLT DETECTOR 2.9V SOT23A	Not needed if not using external Trigger (R11 soldered)
1	MCP1640T	SOT23-6	U3	MCP1640T-I/CHYDKR-ND		IC BOOST SYNC ADJ 0.1A SOT23-6	