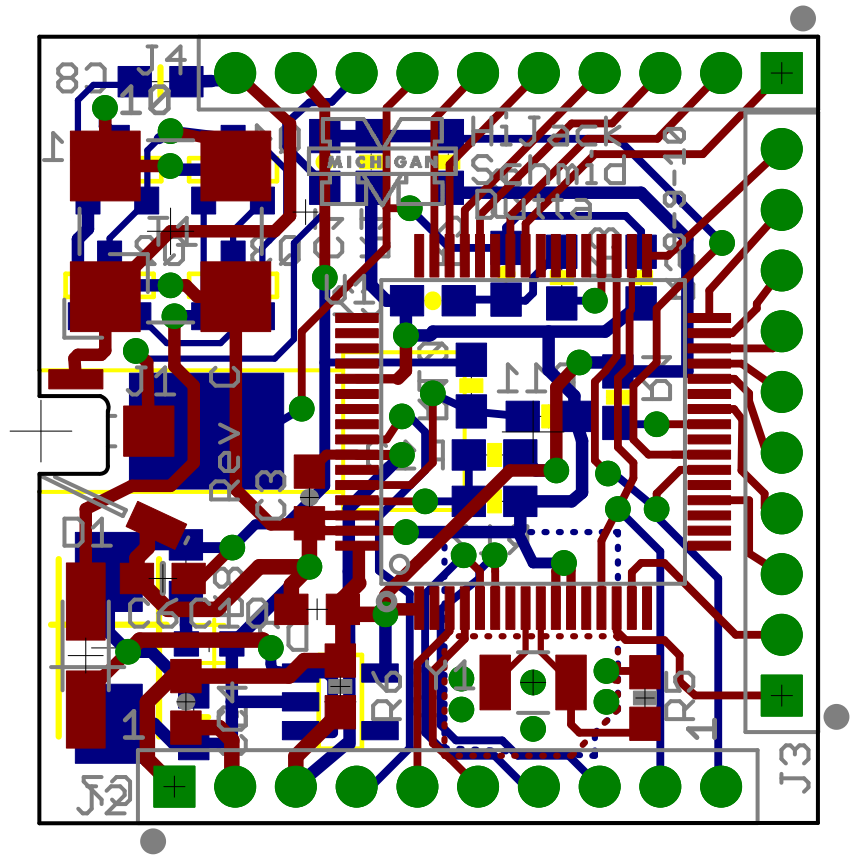
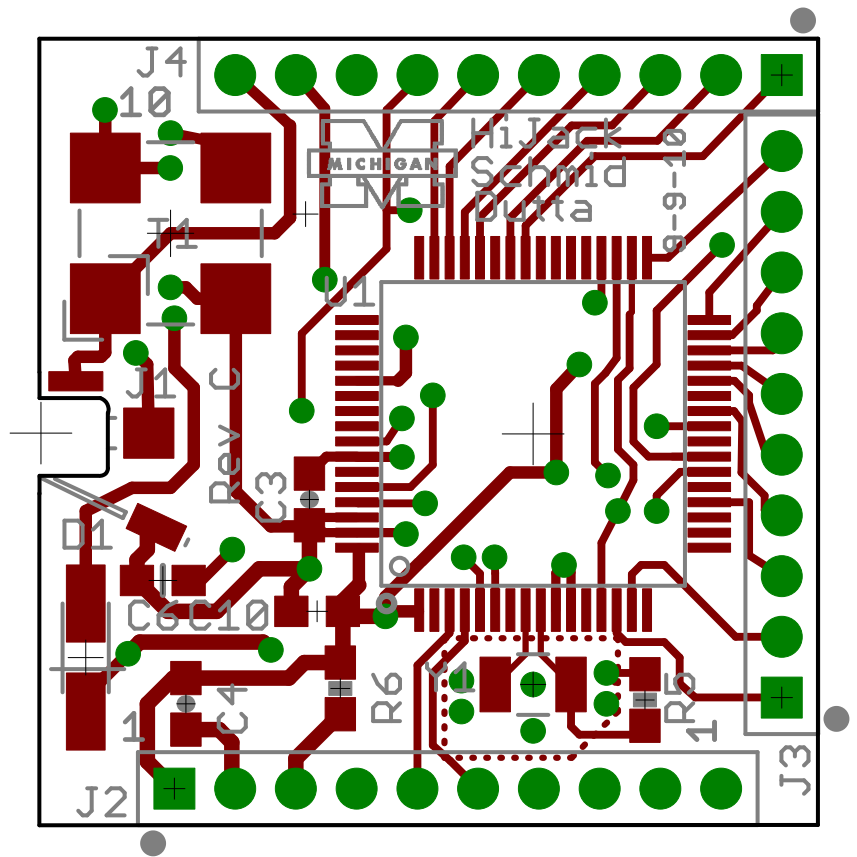


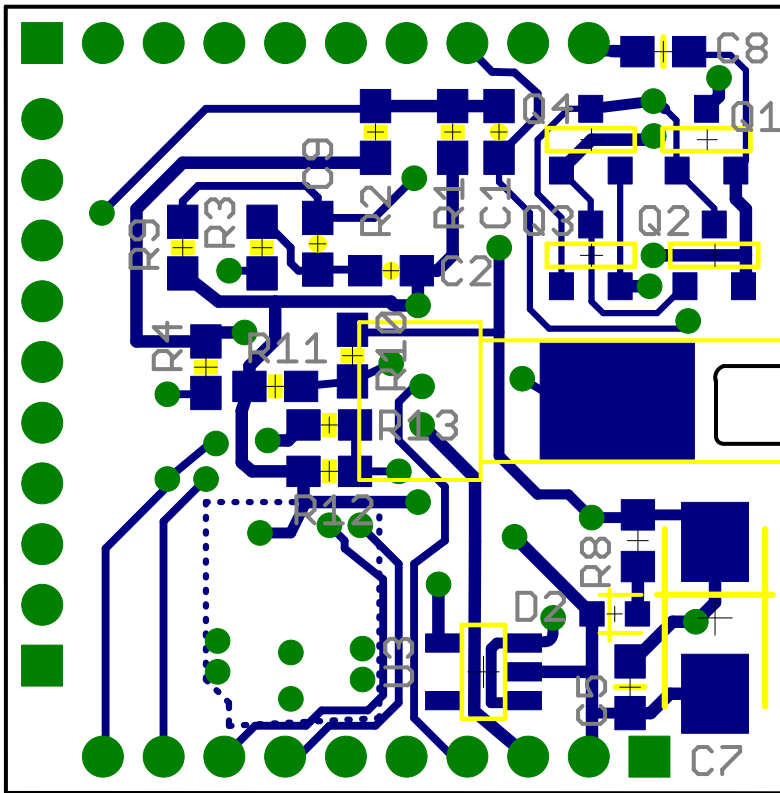
	HIJACK_LQPF_C
	1/9/14 11:54 PM
	Sheet: 1/1

Top and Bottom Layers

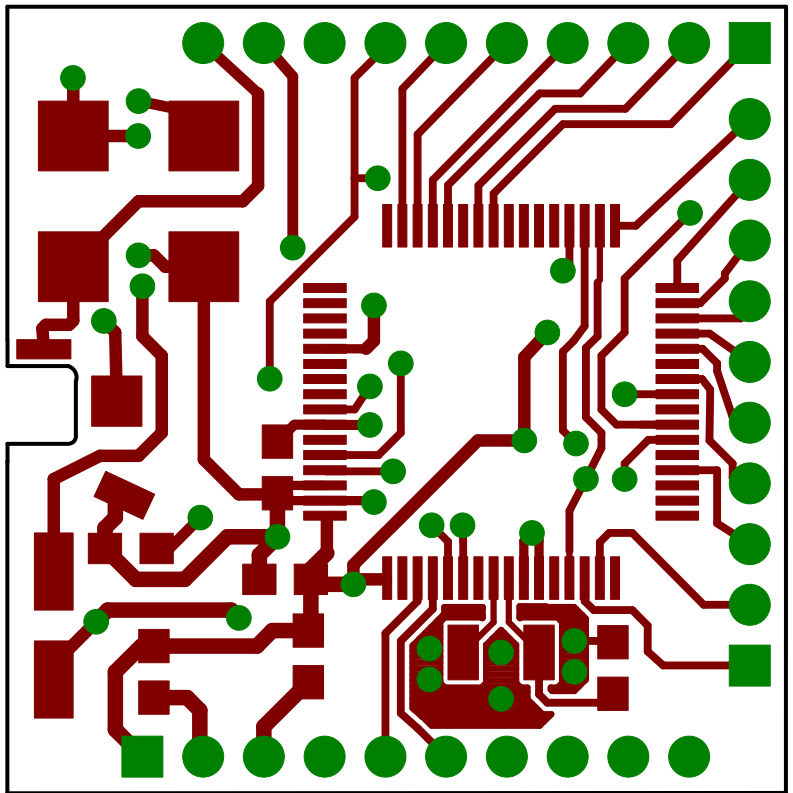




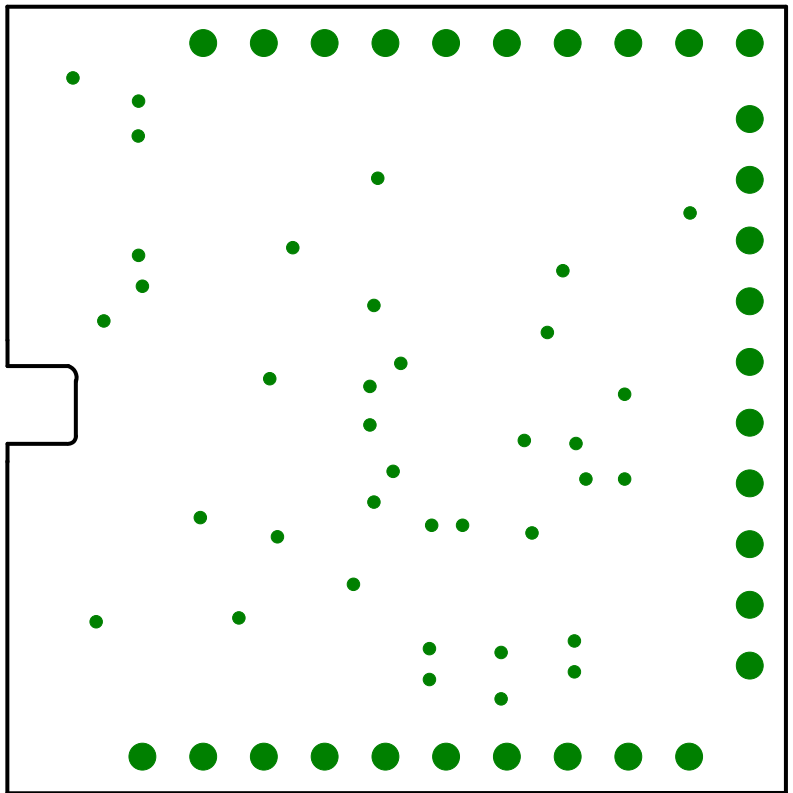
Bottom Layer

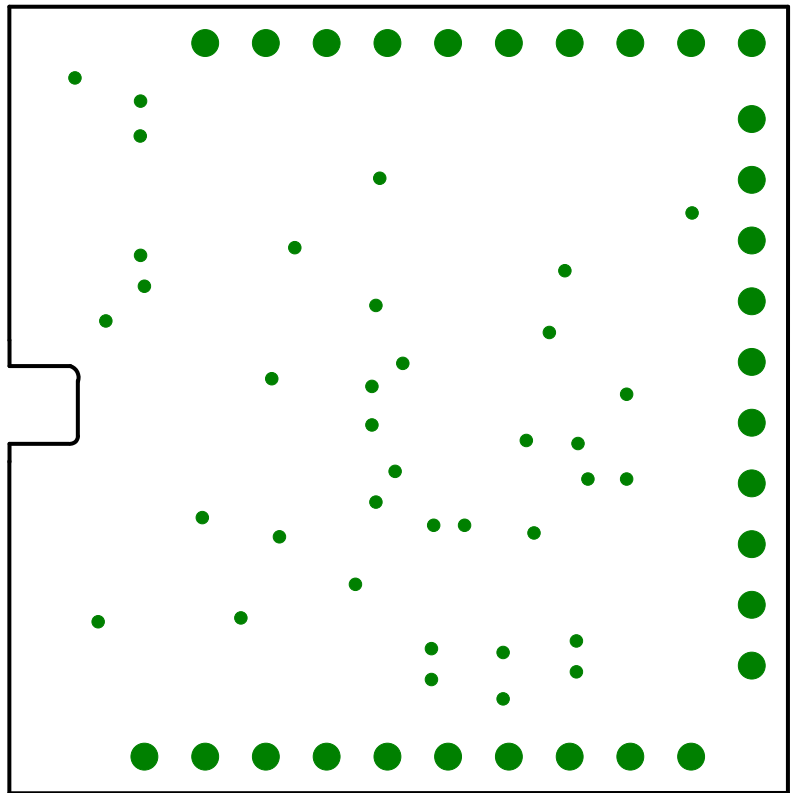


Top Copper Layer

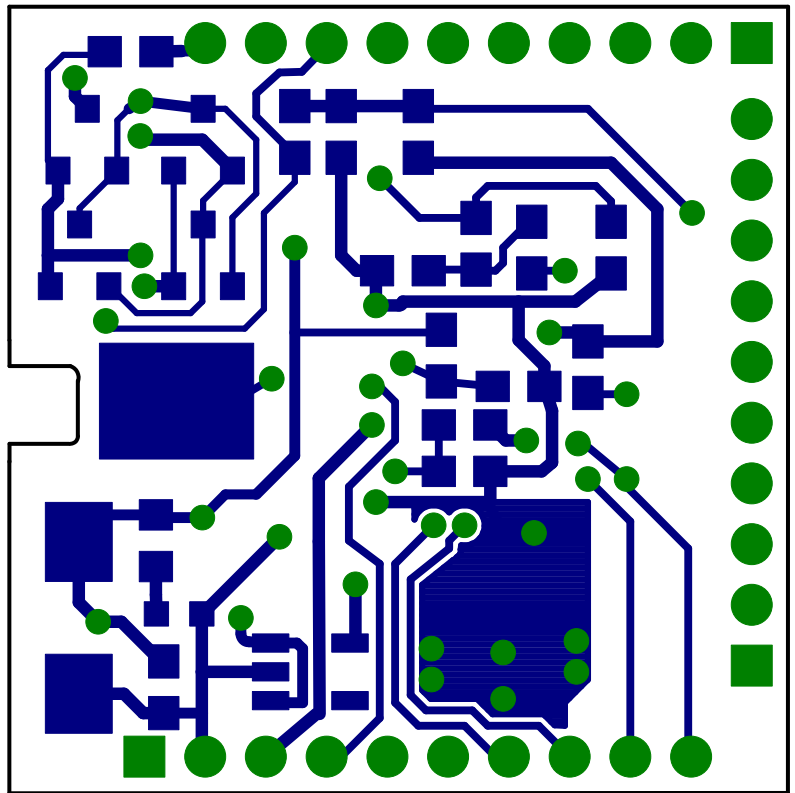


Layer 2 Copper



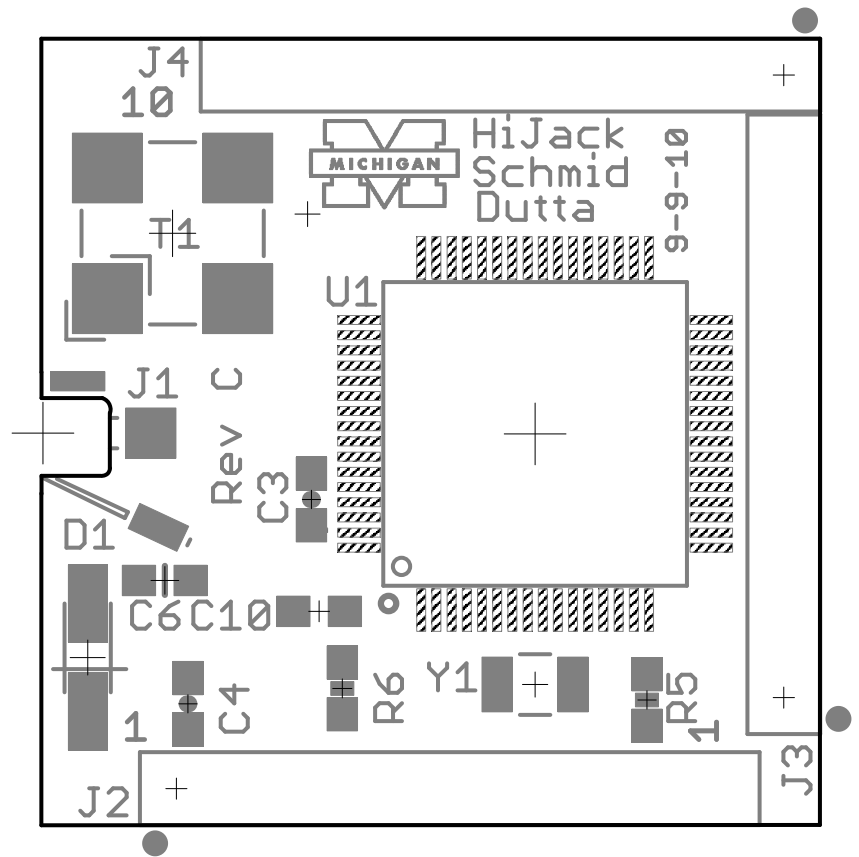


Bottom Copper Layer

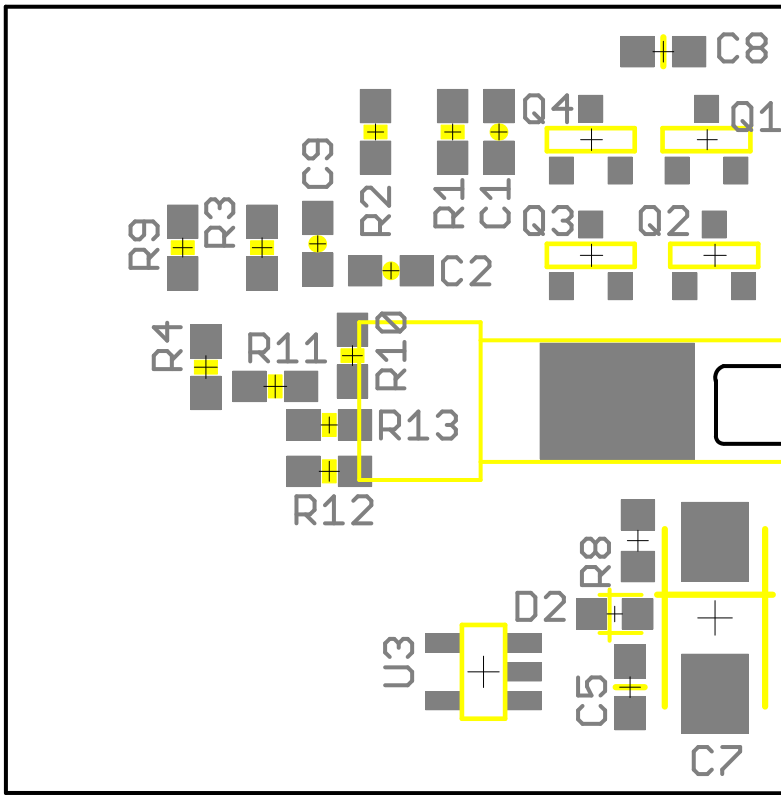




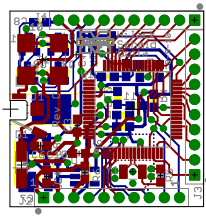
Top Paste Layer with Silkscreen



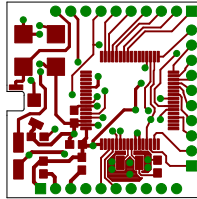
Bottom Paste Layer with Silkscreen



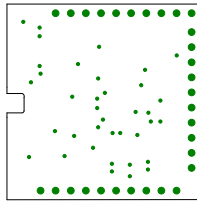
Top and Bottom Layers 1:1 Scale



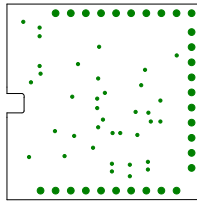
Top Layer 1:1 Scale



Layer 2 Copper 1:1 Scale



Layer 3 Copper 1:1 Scale



Bottom Copper Layer 1:1 Scale

