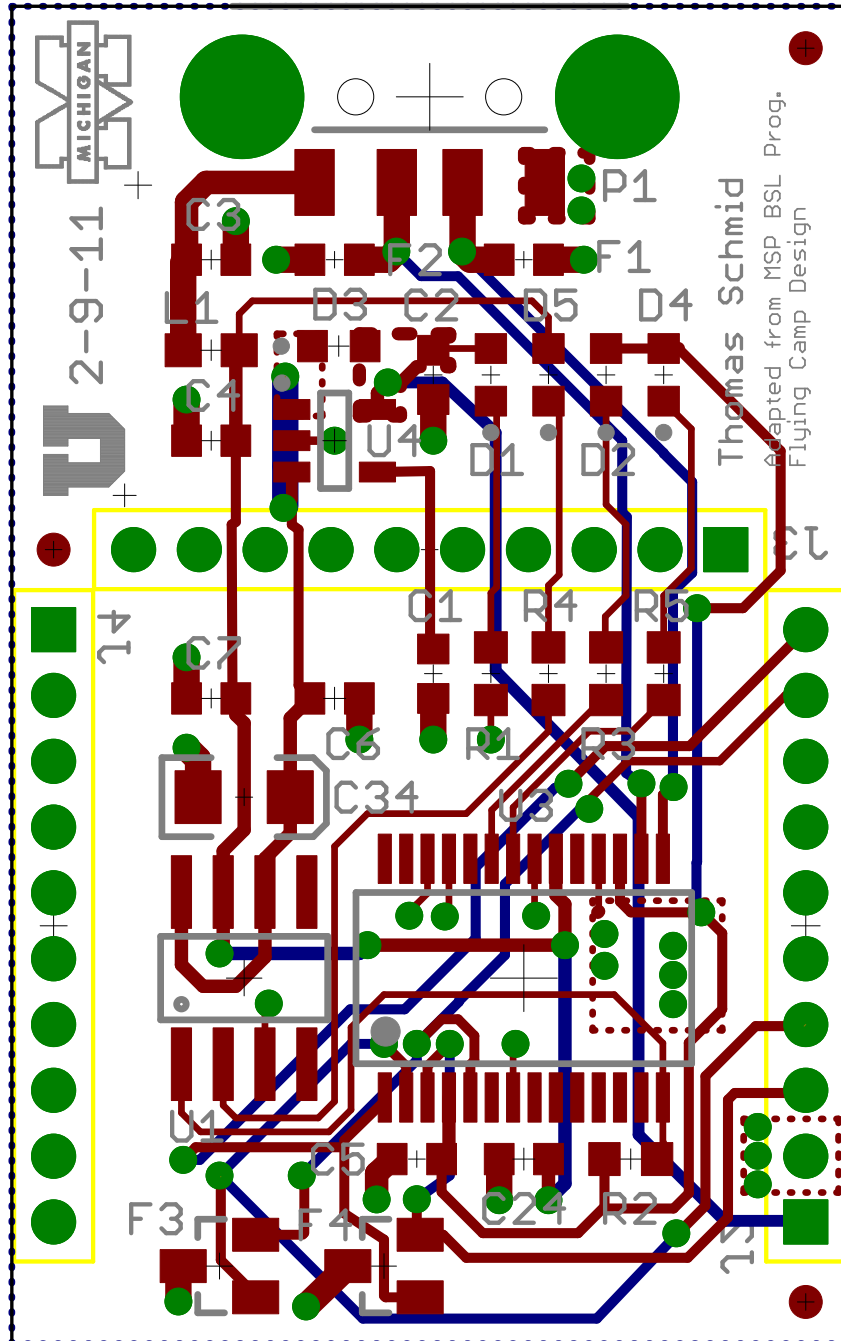
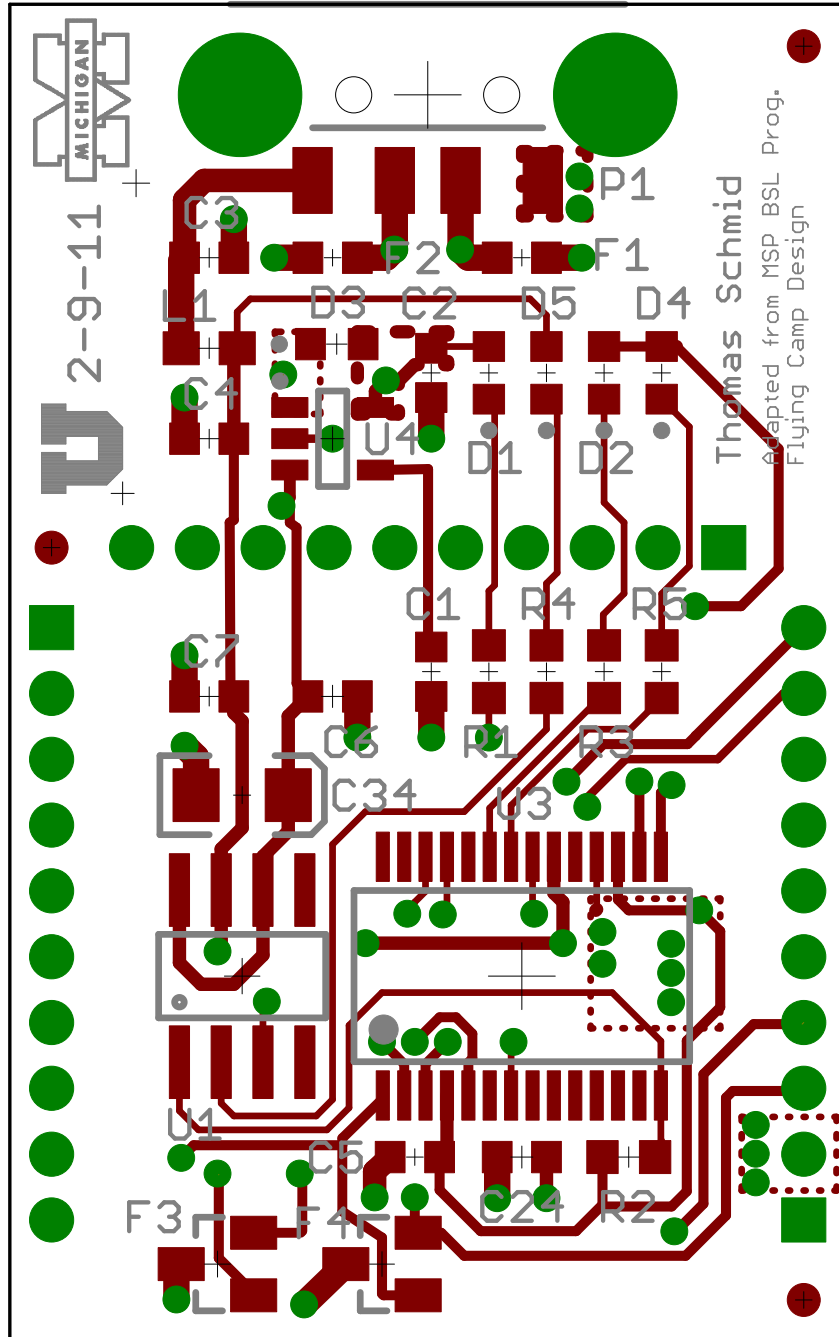


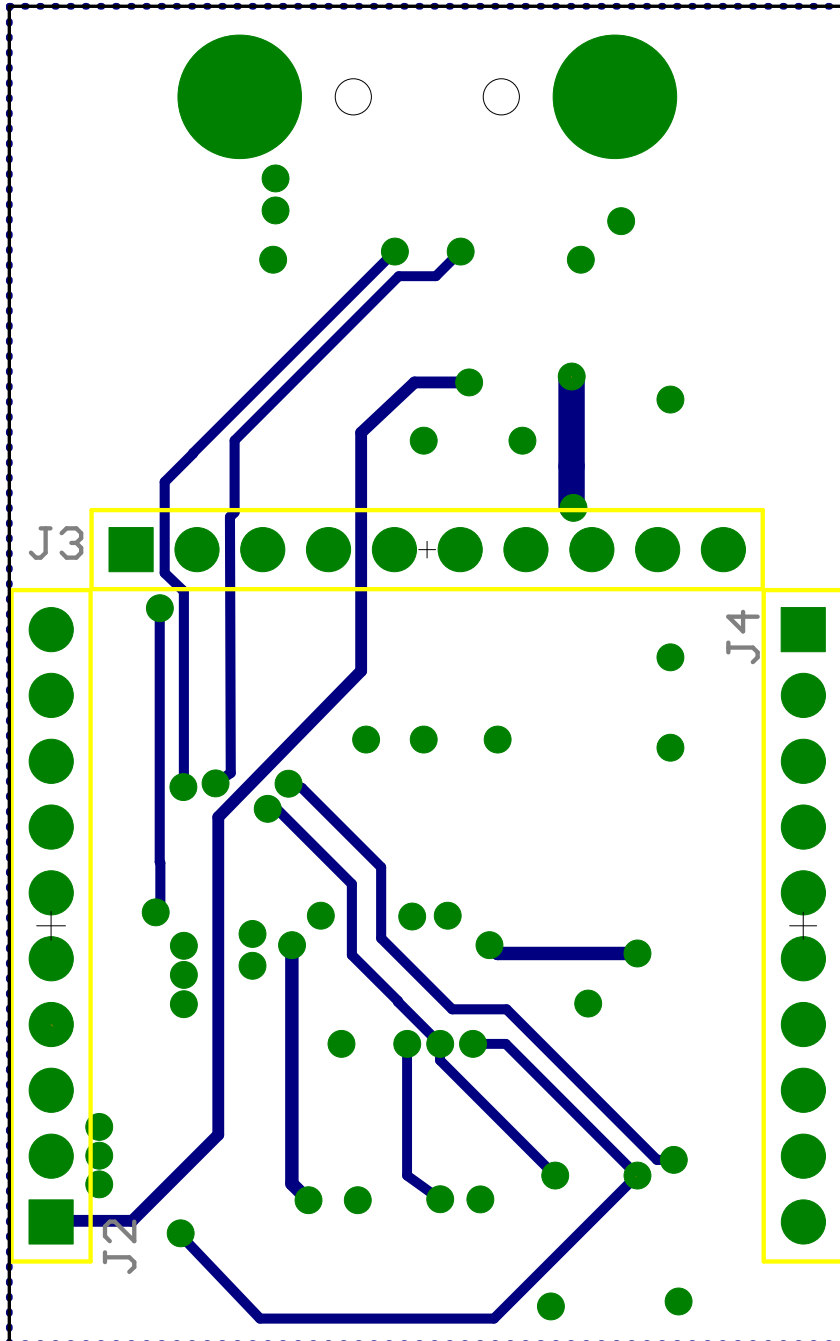
Fiducials  
  
 Logo

MSP430 BSL Programmer	
Flying Camp Design - <a href="http://www.flyingcampdesign.com">www.flyingcampdesign.com</a>	
TITLE: HiJack_Programmer	
Document Number:	REV: 1.1
Date: 1/9/14 11:33 PM	Sheet: 1/1

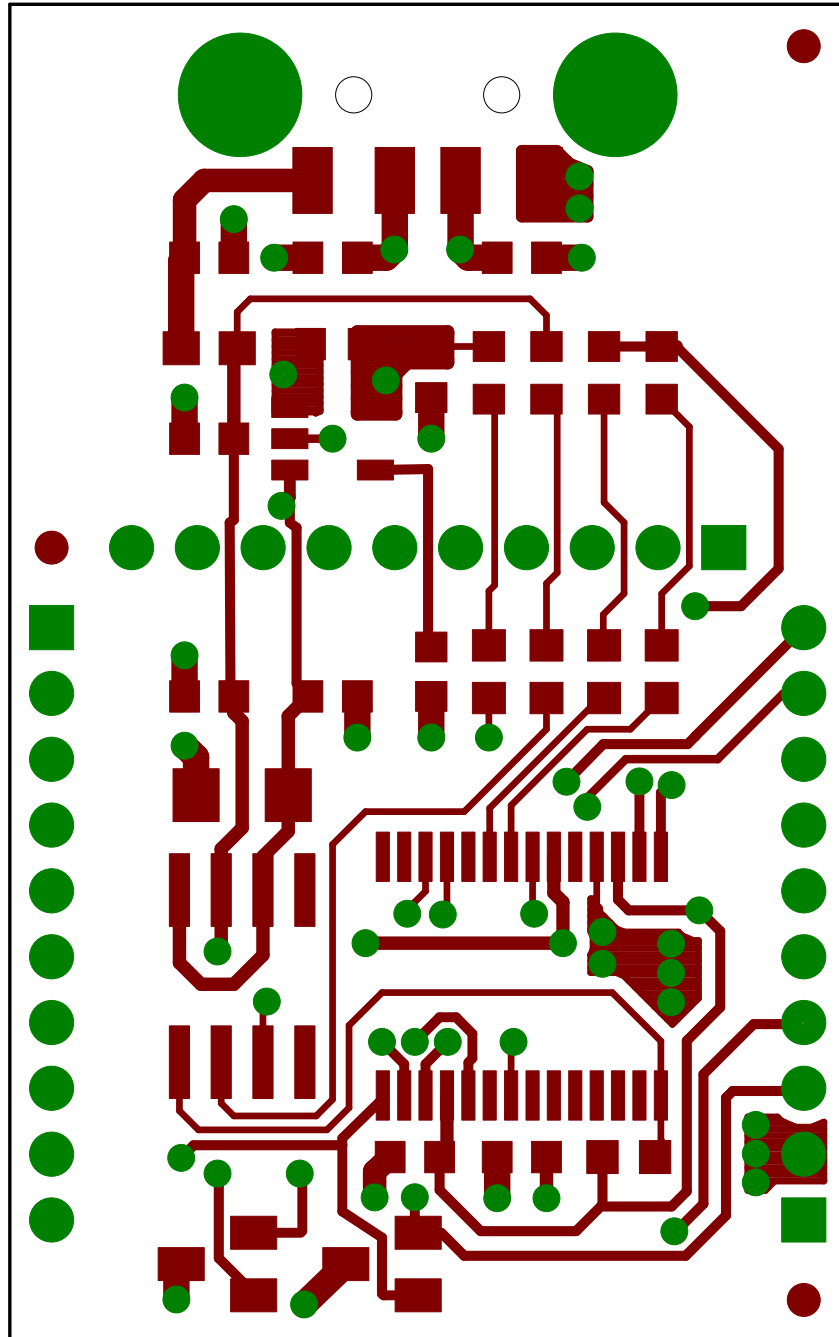




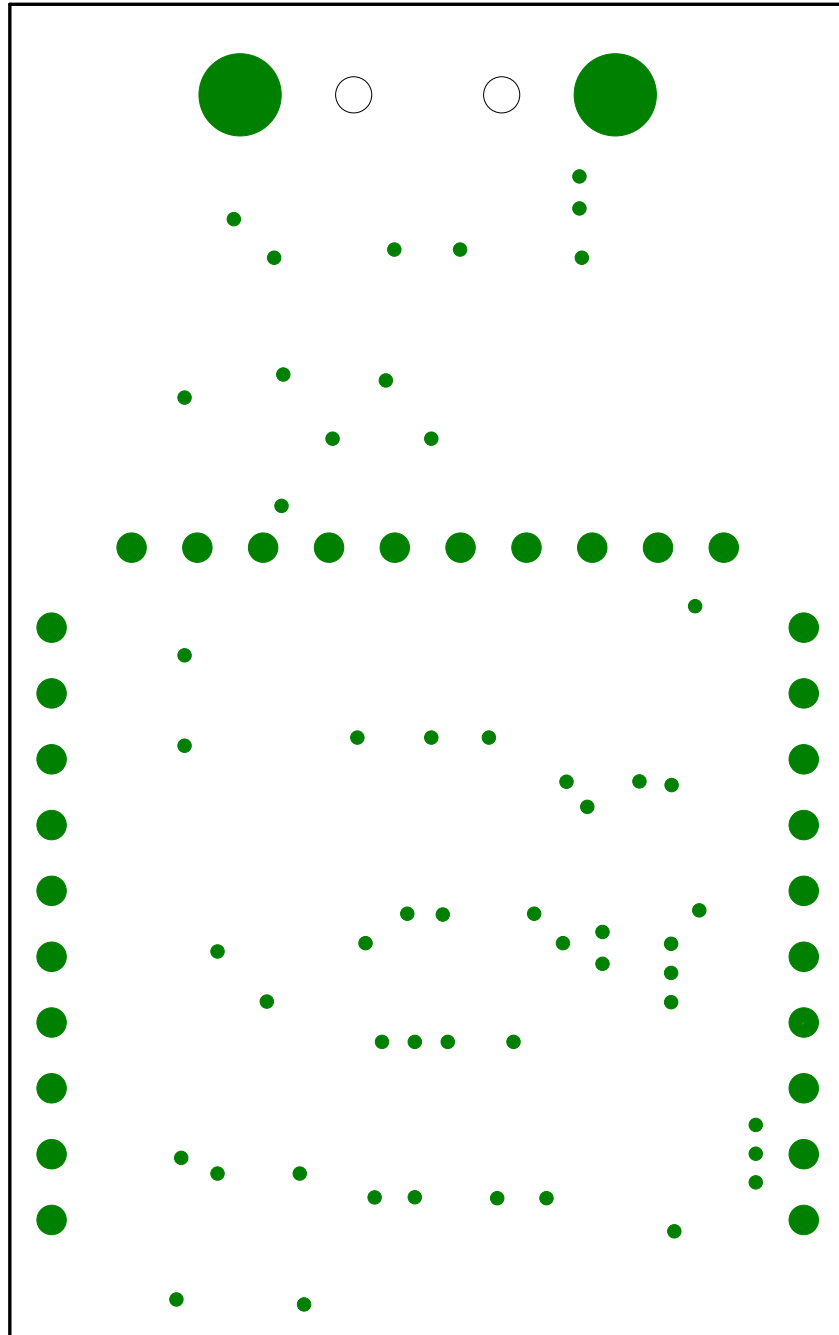
Bottom Layer



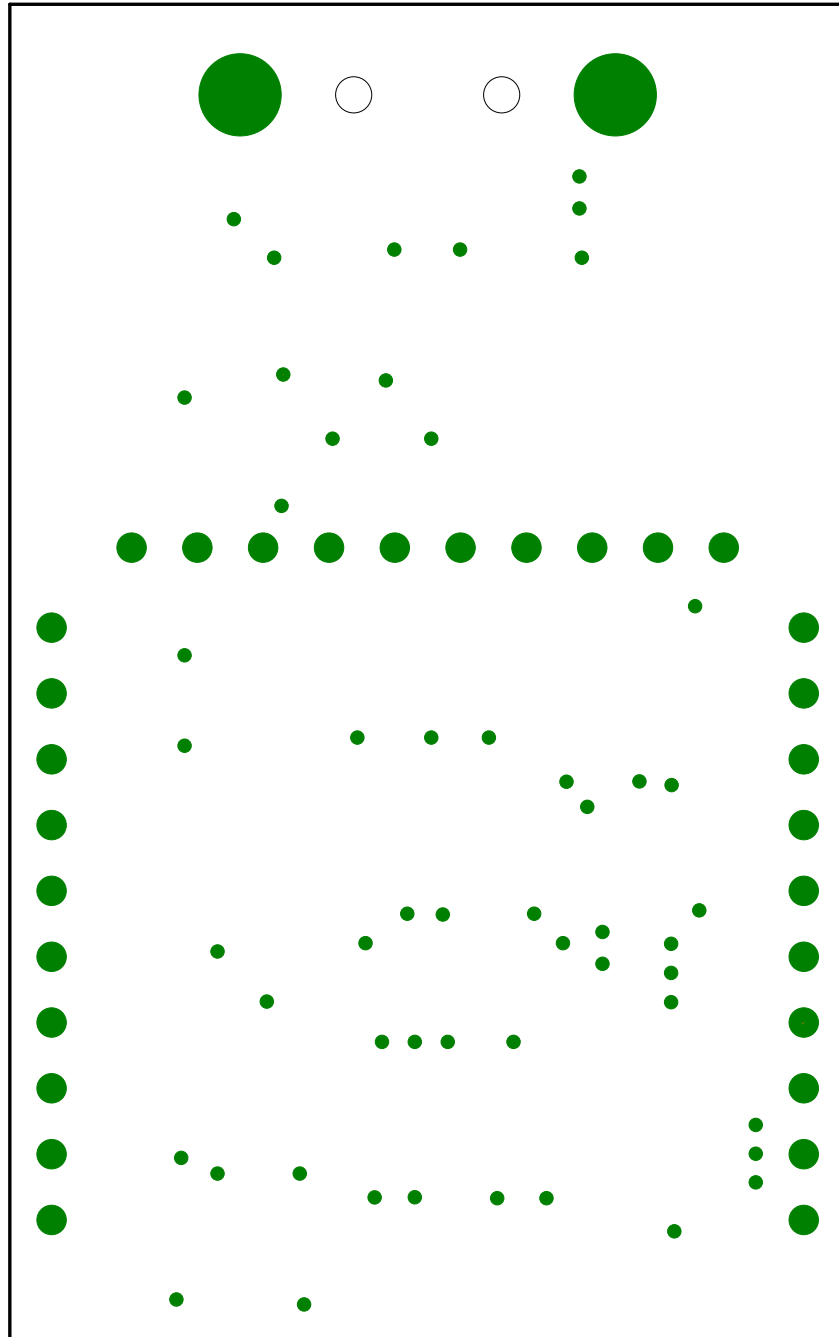
Top Copper Layer



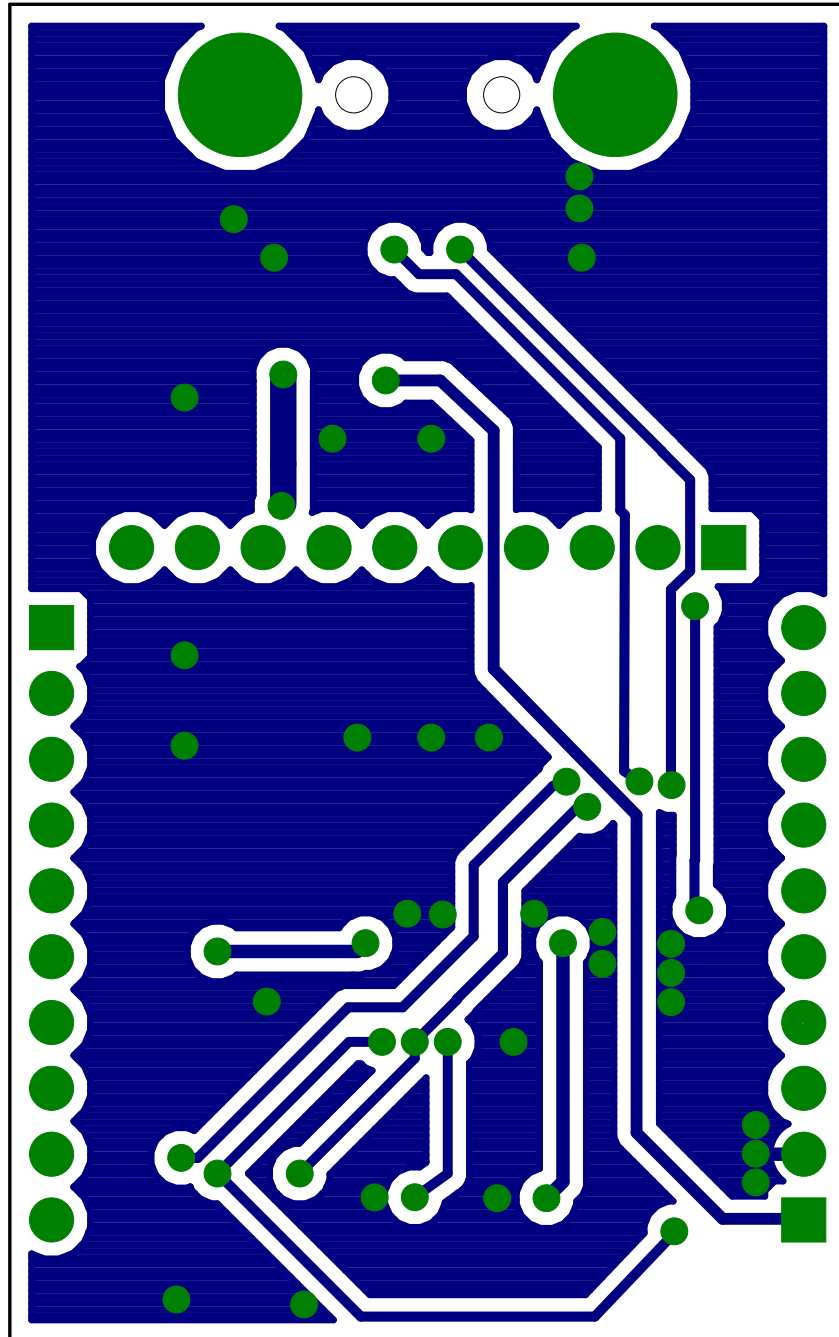
Layer 2 Copper



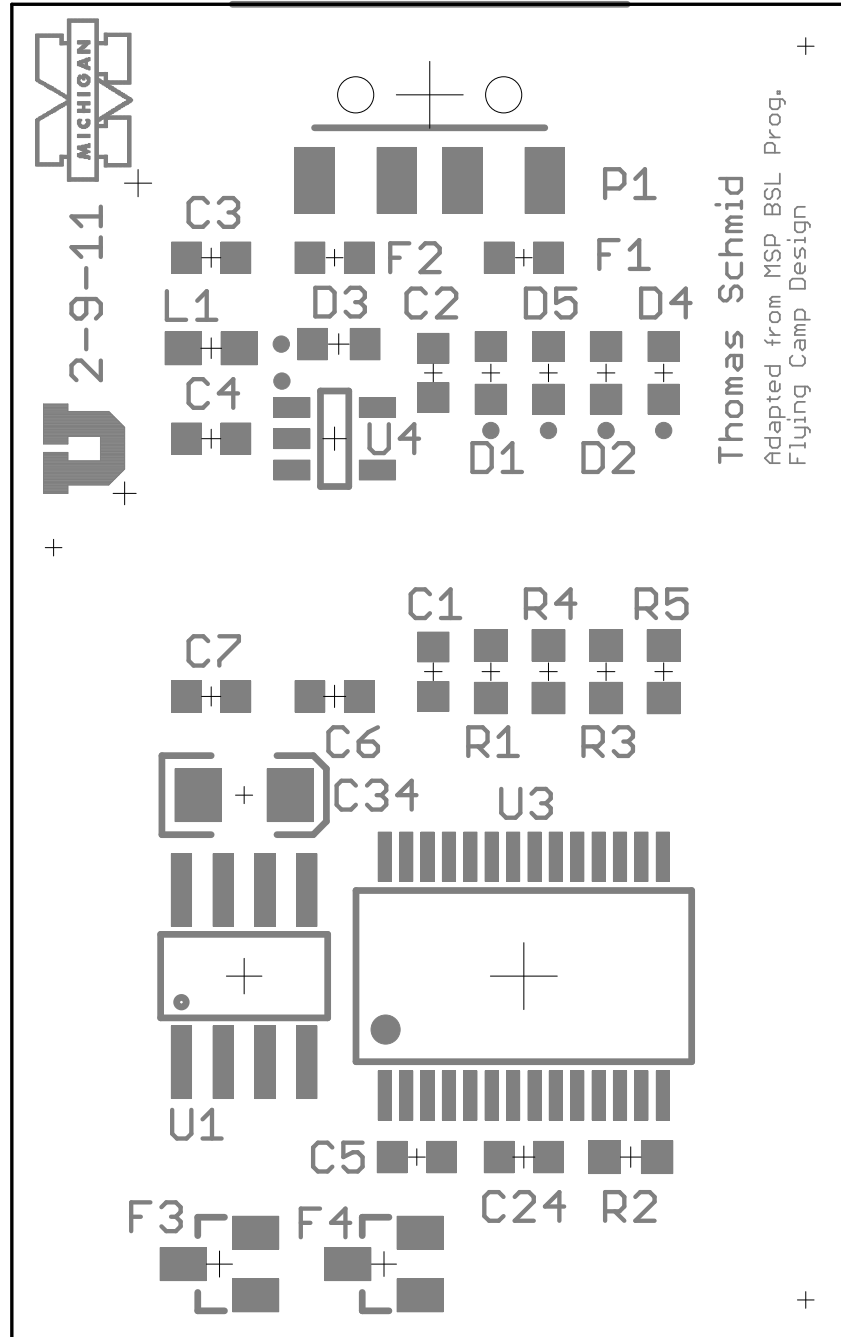
Layer 3 Copper

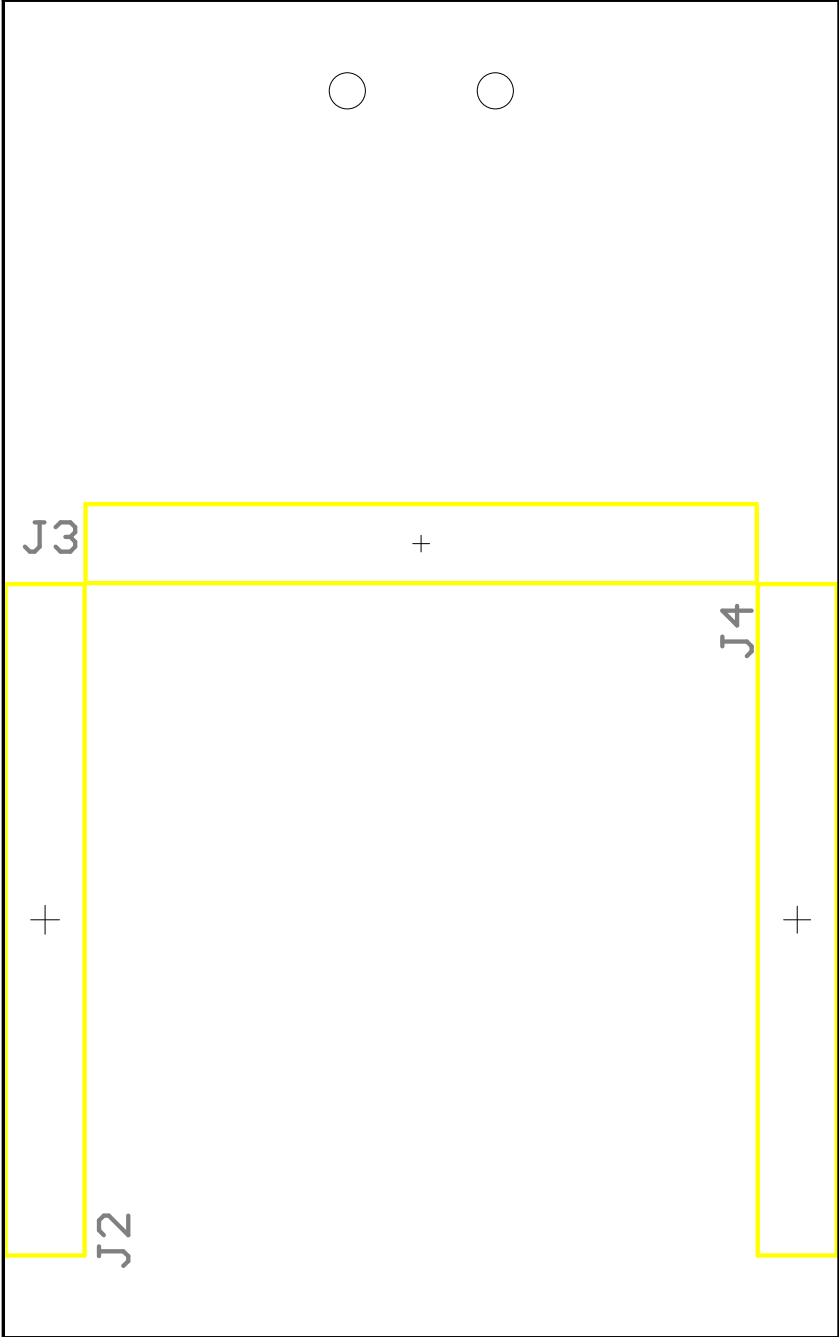


Bottom Copper Layer

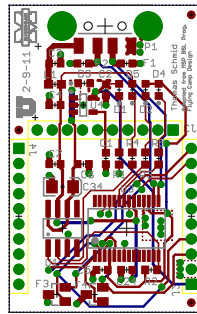




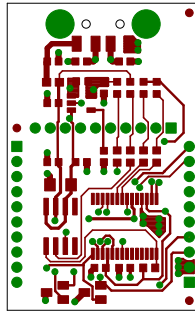




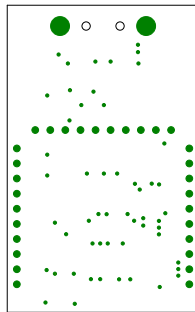
Top and Bottom Layers 1:1 Scale

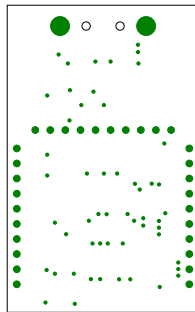


Top Layer 1:1 Scale

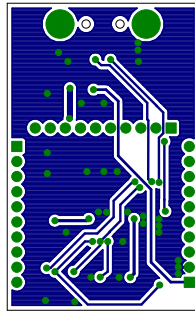


Layer 2 Copper 1:1 Scale





Bottom Copper Layer 1:1 Scale



Qty	Value	Device	Parts
2	0.01uF	CAPACITOR1608	C1, C3
6	0.1uF	CAPACITOR1608	C2, C4, C5, C6, C7, C24
2	0.01uF	CAPACITOR1608	C1, C3
6	0.1uF	CAPACITOR1608	C2, C4, C5, C6, C7,
1	1k		R4
1	1k	RESISTOR1608	R4
1	4.7uF	CAP_POL1206	C34
1	10K	RESISTOR1608	R2
3		100 RESISTOR1608	R1, R3, R5
1		11029 ARDUINO_SERIAL_PROGRAMSMD	JP1
DNP	CDBU0240	SCHOTTKY-DIODE0603	D3
3	FIDUCIAL1X2	FIDUCIAL1X2	U\$2, U\$3, U\$4
1	FLYING_CAMP_DESIGN_LOGO	FLYING_CAMP_DESIGN_LOGO	U\$1
1	FT232RL	FT232RL	U3
1	Ferrite Bead	INDUCTOR0603	L1
1	GREEN	LED1608	D4
1	MIC2025/SOIC-8	MIC2025/SOIC-8	U1
1	MOLEX_48037-1000	MOLEX_48037-1000	P1
2	PGB102ST23	LITTELFUSE_PGB102ST23	F3, F4
2	PGB1010603	LITTELFUSE_PGB1010603	F1, F2
1	RED	LED1608	D2
1	TPS73633DBVT	TPS73633DBVT	U4
1	YELLOW	LED1608	D5



Manufacturer	Manufacturer Part Number	Supplier	Supplier Part Number	Cost (1u)
AVX	06035C103KAT2A	digiquey.com	478-1227-1-ND	
Murata		digiquey.com	490-1524-1-ND	
Panasonic	ECJ-1VB1H103K	digiquey.cor	PCC1784CT-ND	0.042
Panasonic	ECJ-1VB1E104K	digiquey.cor	PCC2277CT-ND	0.042
Rohm	MCR03EZPJ102	digiquey.com	RHM1.0KGCT-ND	0.071
Yageo	RC0603JR-071KL	digiquey.cor	311-1.0KGRCT-NI	0.064
Kemet	B45196H3475K109	digiquey.com	495-2232-1-ND	0.21
Yageo	RC0603JR-0710KL	digiquey.com	311-10KGRCT-ND	0.064
Panasonic	ERJ-3GEYJ101V	digiquey.com	P100GCT-ND	0.071
4UCON Technology		11029 sparkfun.com	PRT-09015	0.95
Comchip Technology	CDBU0240	digiquey.com	641-1009-1-ND	0.46
FTDI	FT232RL	digiquey.com	768-1007-1-ND	4.5
Steward	MI0603K300R-10	digiquey.com	240-2373-1-ND	0.081
Rohm	SML-310PTT86	digiquey.com	511-1300-1-ND	0.3
Micrel	MIC2025-2YM	digiquey.com	576-1058-ND	\$1.18
Molex	48037-1000	digiquey.com	WM17118-ND	2.22
Littelfuse	PGB102ST23WR	digiquey.com	F2596CT-ND	1.5
Littelfuse	PGB1010603MR	digiquey.com	F2594CT-ND	0.86
Rohm	SML-310VTT86	digiquey.com	511-1301-1-ND	0.3
Texas Instruments	TPS73633DBVT	digiquey.com	296-15819-1-ND	3.15
Rohm	SML-310YTT86	digiquey.com	511-1302-1-ND	0.3

Comment

50V, 10%, X7R	obsolete
25V, 10%, X7R	obsolete
0.1W, 5%, Thick Film	
0.1W, 5%, Thick Film	not in stock
16V, 10%, 4.000 Ohm ESR	
0.1W, 5%, Thick Film	
0.1W, 5%, Metal Film	
(also available at <a href="http://www.4uconnector.com/">http://www.4uconnector.com/</a> )	
Schottky, 40V, 550mV@200mA, 10uA@30V reverse leakage, 9pF@10V	

3.3V-5.25V  
1.5A, 100MHz, 30 Ohm  
4mcd, 2.2V, 555nm, 555nm, 20mA, 140 deg, Clear, 17mlm  
140m Ohm Rds(on), 10mA Leakage  
Plug, USB-A, Shielded  
Bidirectional, 24V Reverse Standoff Voltage  
Bidirectional, 24V Reverse Standoff Voltage  
4mcd, 2.0V, 630nm, 630nm, 20mA, 140 deg, Clear, 17mlm  
IC LDO REG 400MA 3.3V SOT23-5  
6.3mcd, 2.1V, 585nm, 585nm, 20mA, 140 deg, Clear, 26mlm