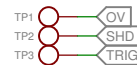
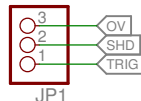
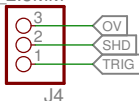
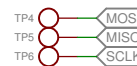
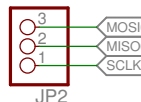
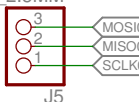


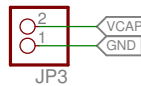
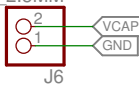
SPRING-TERMINAL_3/PTSA-ZZ 2.5MM



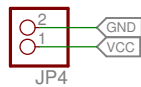
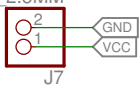
SPRING-TERMINAL_3/PTSA-ZZ 2.5MM



SPRING-TERMINAL_2/PTSA-ZZ 2.5MM



SPRING-TERMINAL_2/PTSA-ZZ 2.5MM



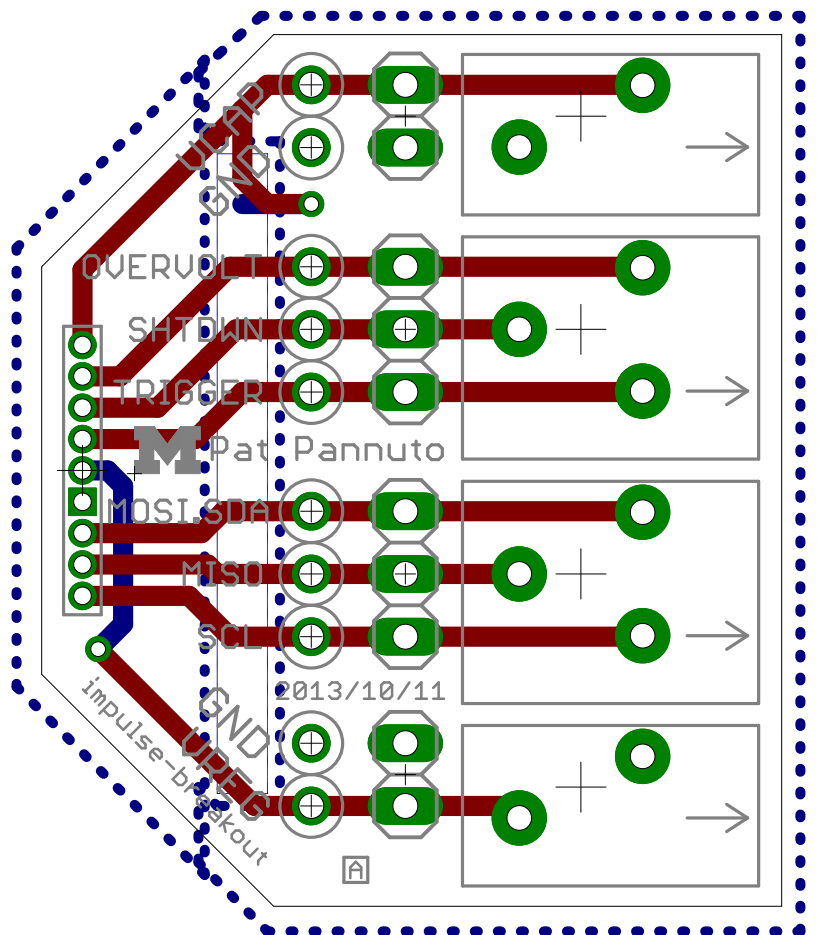
M Impulse-Breakout

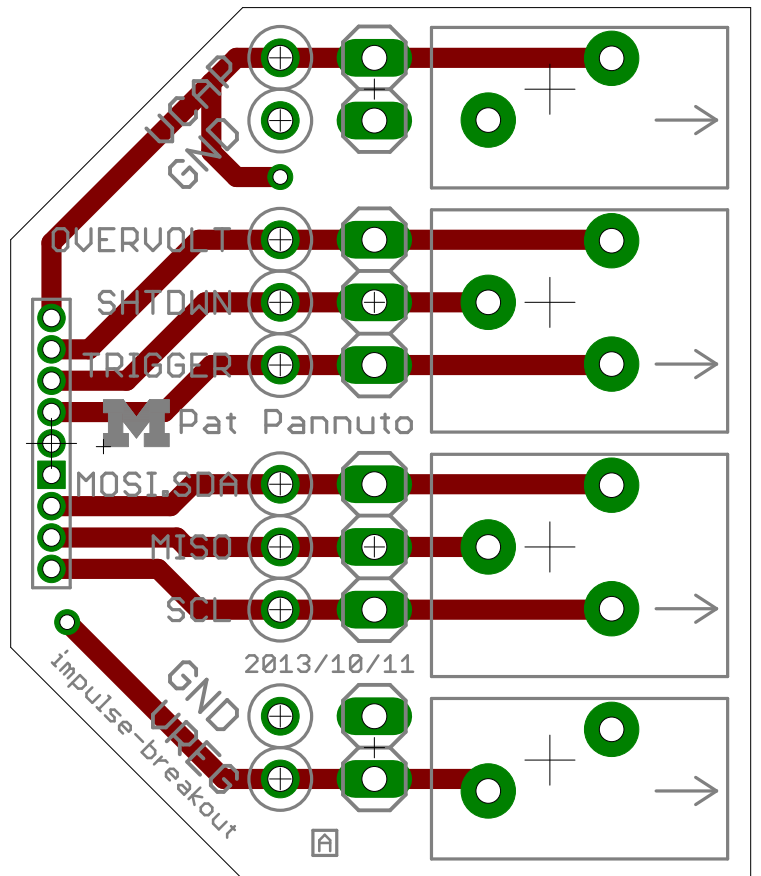
REV:
A

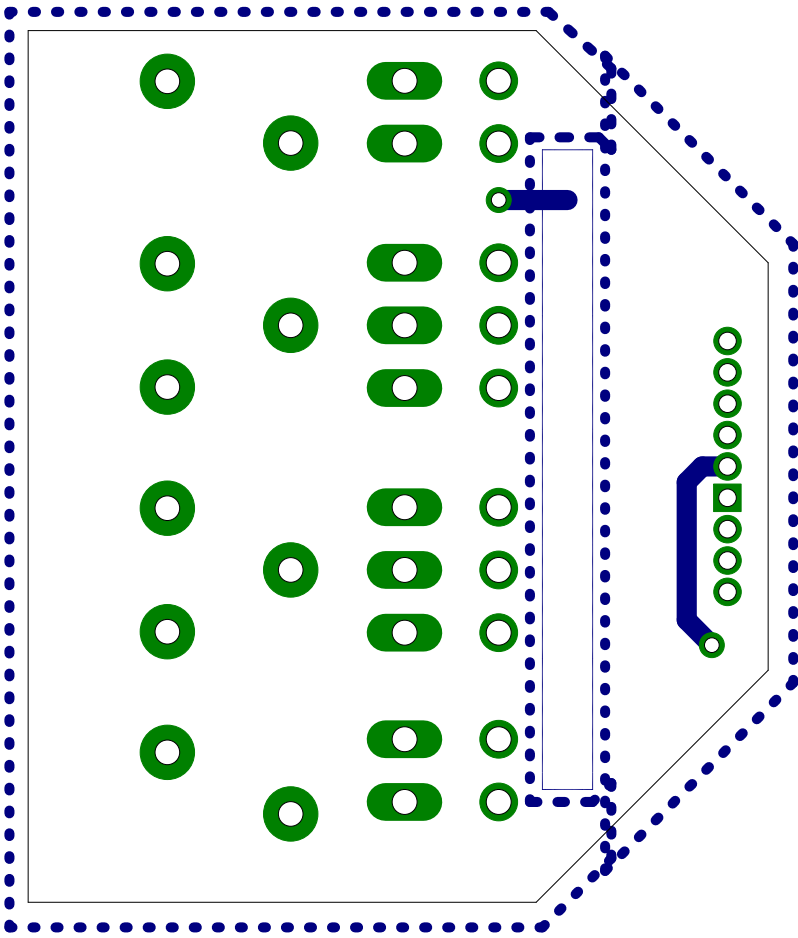
Author: Pat Pannuto

Date: 10/20/13 6:33 PM

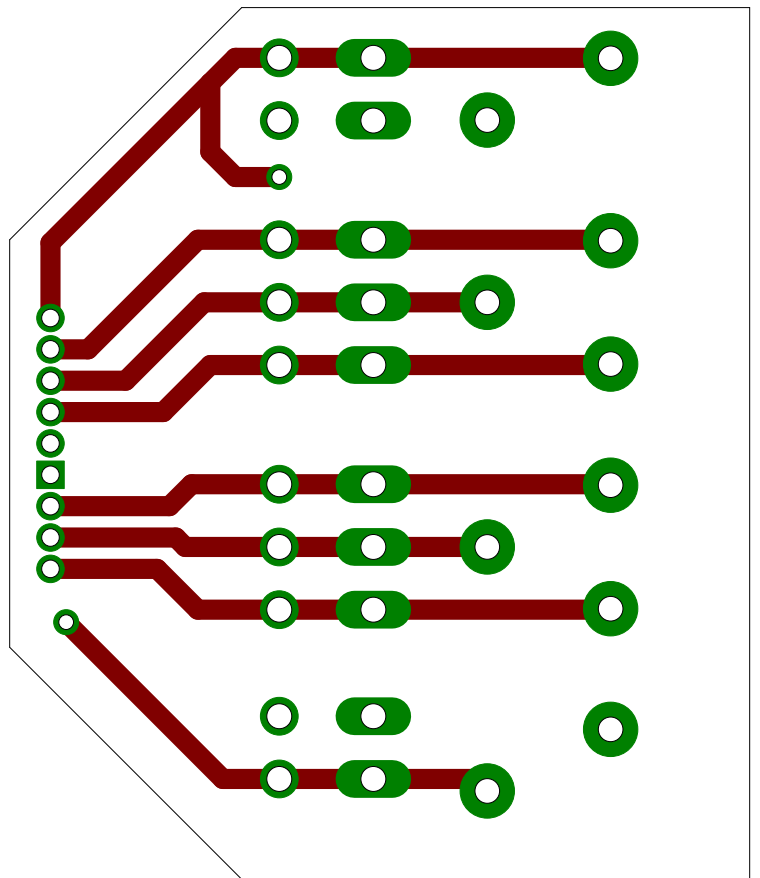
Sheet: 1/1



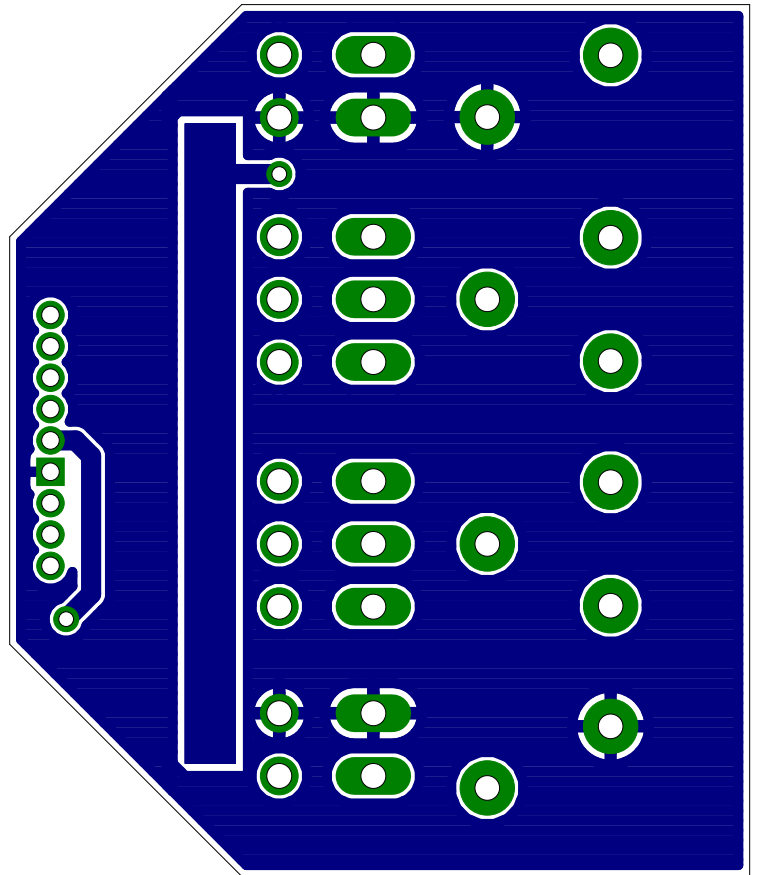


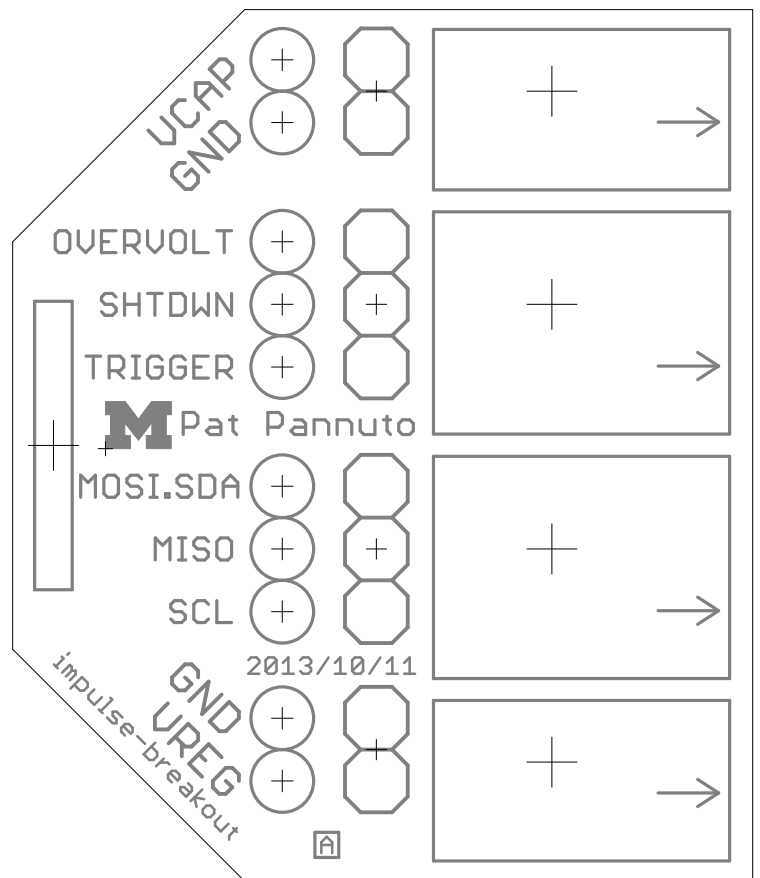


Top Copper Layer

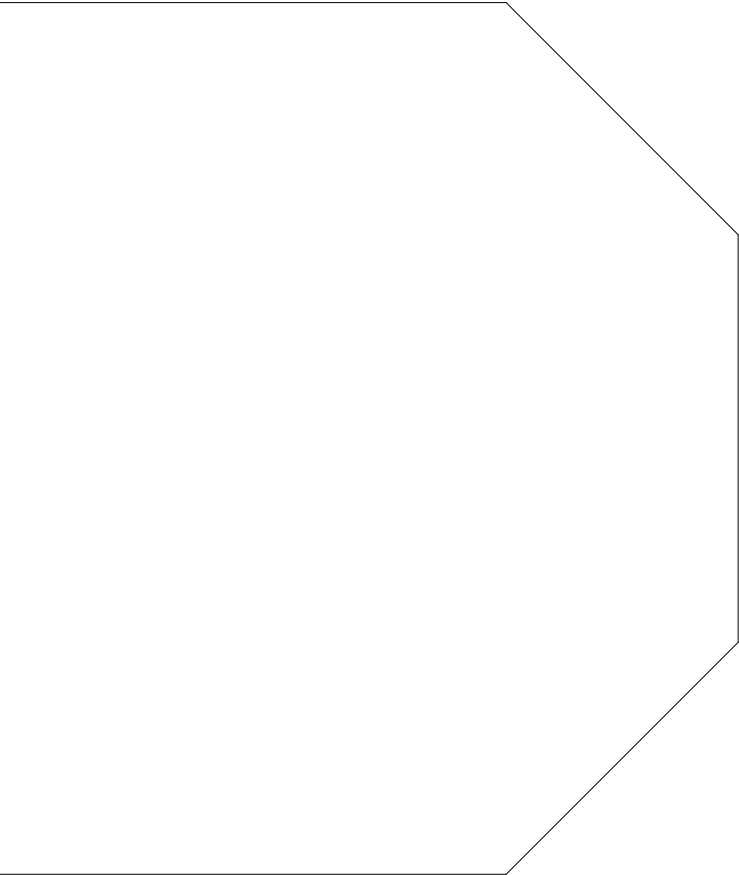


Bottom Copper Layer

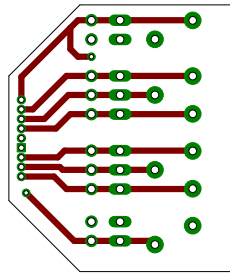




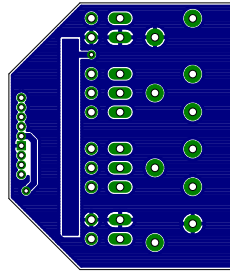
Bottom Paste Layer with Silkscreen



Top Layer 1:1 Scale



Bottom Copper Layer 1:1 Scale



Sheet1

Qty	Value	Device
2		PINHD-1X2
2		PINHD-1X3
1	IMPULSE_GECKO_HEADER	IMPULSE_GECKO_HEADER
2	SPRING-TERMINAL_2/PTSA-ZZ_2.5MM	SPRING-TERMINAL_2/PTSA-ZZ_2.5MM
2	SPRING-TERMINAL_3/PTSA-ZZ_2.5MM	SPRING-TERMINAL_3/PTSA-ZZ_2.5MM
10	TEST_POINT_0.040IN	TEST_POINT_0.040IN

Sheet1

Package	Parts
1X02	JP3, JP4
1X03	JP1, JP2
HEADER1X9/0.05IN	J3
1X2/PTSA-ZZ_2.5MM	J6, J7
1X3/PTSA-ZZ_2.5MM	J4, J5
TESTPOINT_0.040IN	TP1, TP2, TP3, TP4, TP5, TP6, TP7, TP8, TP9, TP10

Description

DIGIKEY

PIN HEADER

PIN HEADER

Header on the impulse EPIC-esque board.

277-1794-ND

277-1795-ND

0.040in Test Point

5001K-ND