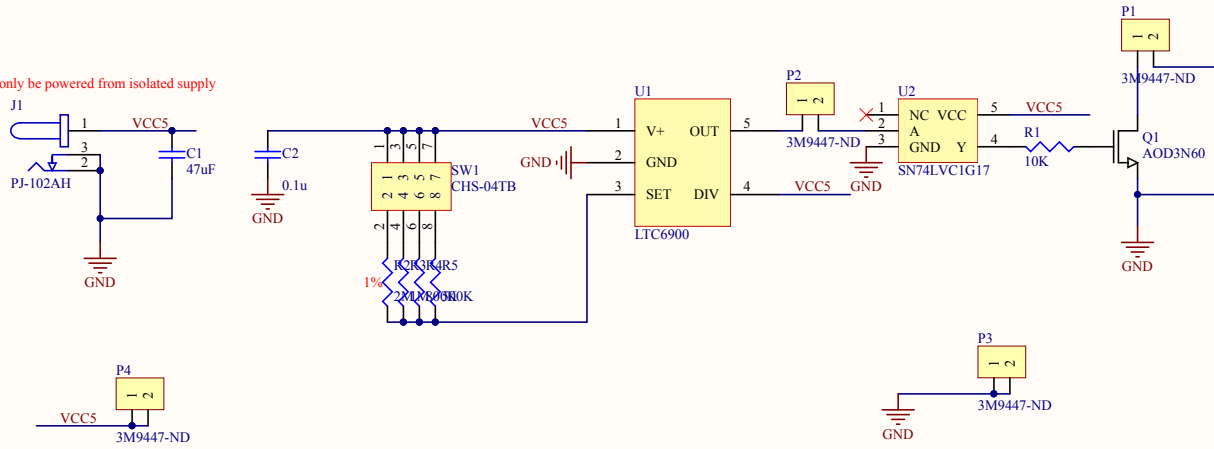
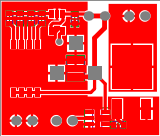
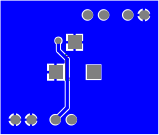


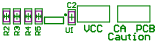
Can only be powered from isolated supply



Title *		Cannot open file C:\Users\samk ... University of Michigan
Author *	Revision:*	
Date: 6/16/2014	Sheet* of *	
File: vlc_ctrl_T67.SchDoc		







High U



M

Two controler
Kuo, Ozi+



Control
Only device
from 1201975





Designator	Description	Value	Quantity	Footprint	Supplier part #
C1	Capacitor (Semiconductor SIM Model)	47uF	1	C1210	
C2	Capacitor (Semiconductor SIM Model)	0.1u	1	1608[0603]	
J1	CONN PWR JACK 2.1X5.5MM HIGH CUR		1	PJ-102AH	
P1, P2, P3, P4	100 mils standard header		4	1x2 header	
Q1	600V,2.5A N-Channel MOSFET		1	TO252	785-1181-1-ND
R1	Resistor	10K	1	J1-0603	
R2	Resistor	2M	1	J1-0603	
R3	Resistor	1M	1	J1-0603	
R4	Resistor	800K	1	J1-0603	
R5	Resistor	500K	1	J1-0603	
SW1	SWITCH DIP 4-POS SLIDE SMD 6V		1	CHS04TB	563-1008-1-ND
U1	Low Power, 1kHz to 20MHz Resistor Set SOT-23 Oscillator		1	TSOT23	
U2	SINGLE SCHMITT-TRIGGER BUFFER		1	SOT23-5	