

Prabal Dutta / University of Michigan

TITLE: monjolo_a

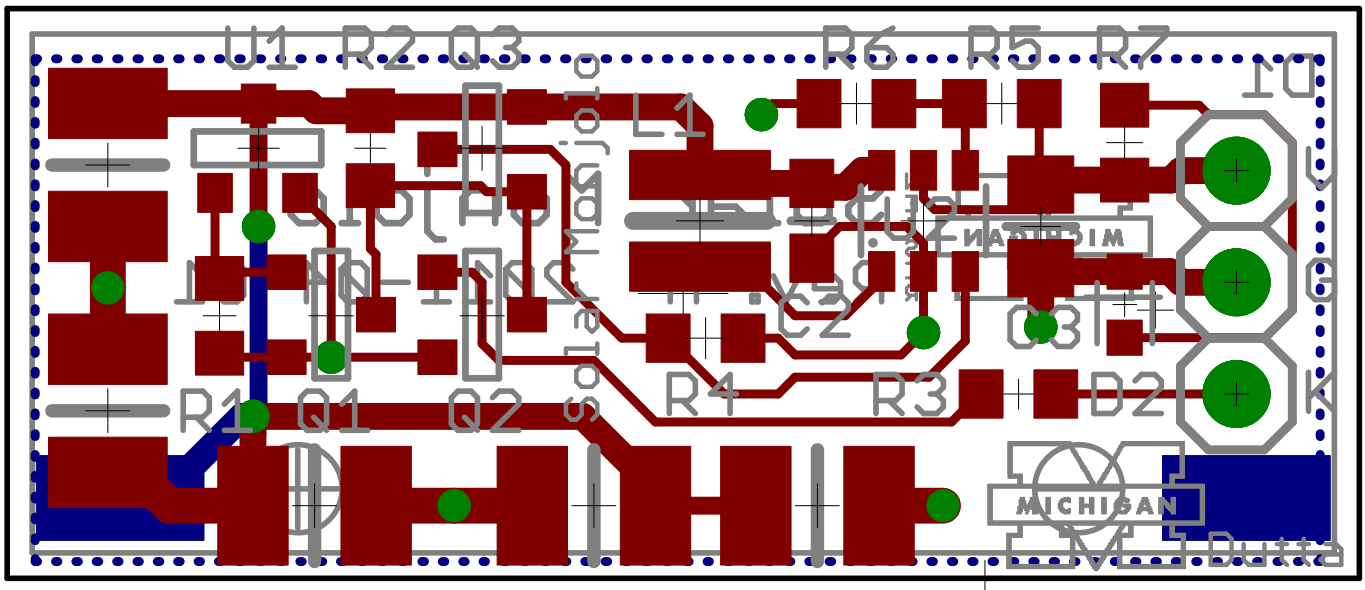
Document Number:

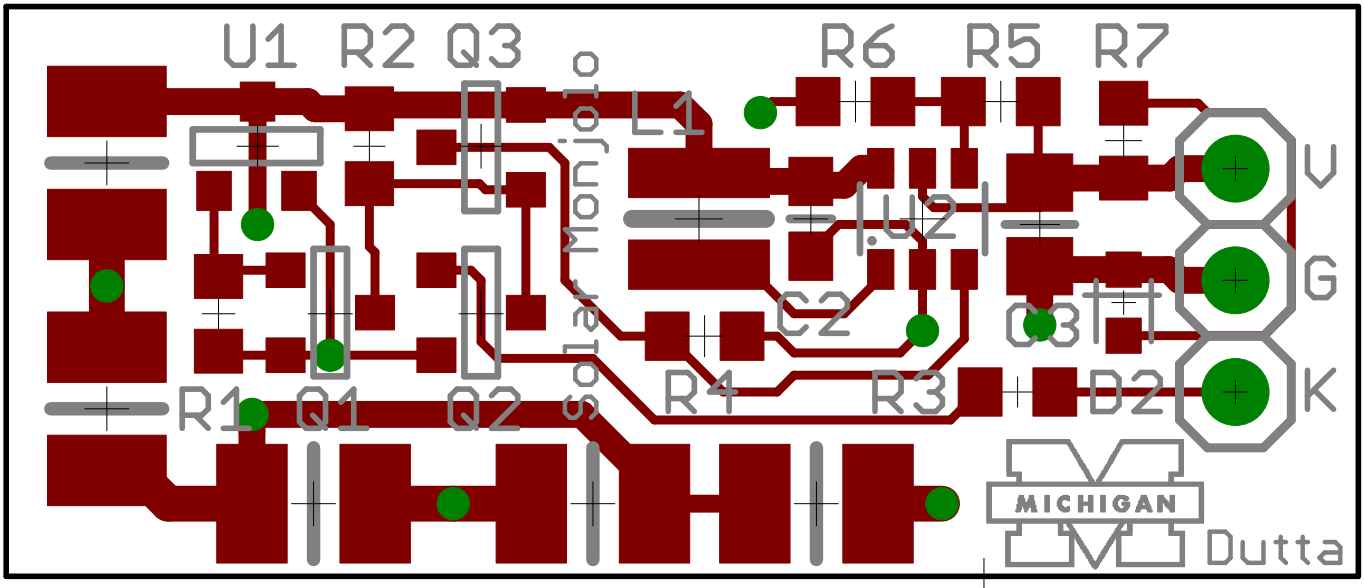
REV:

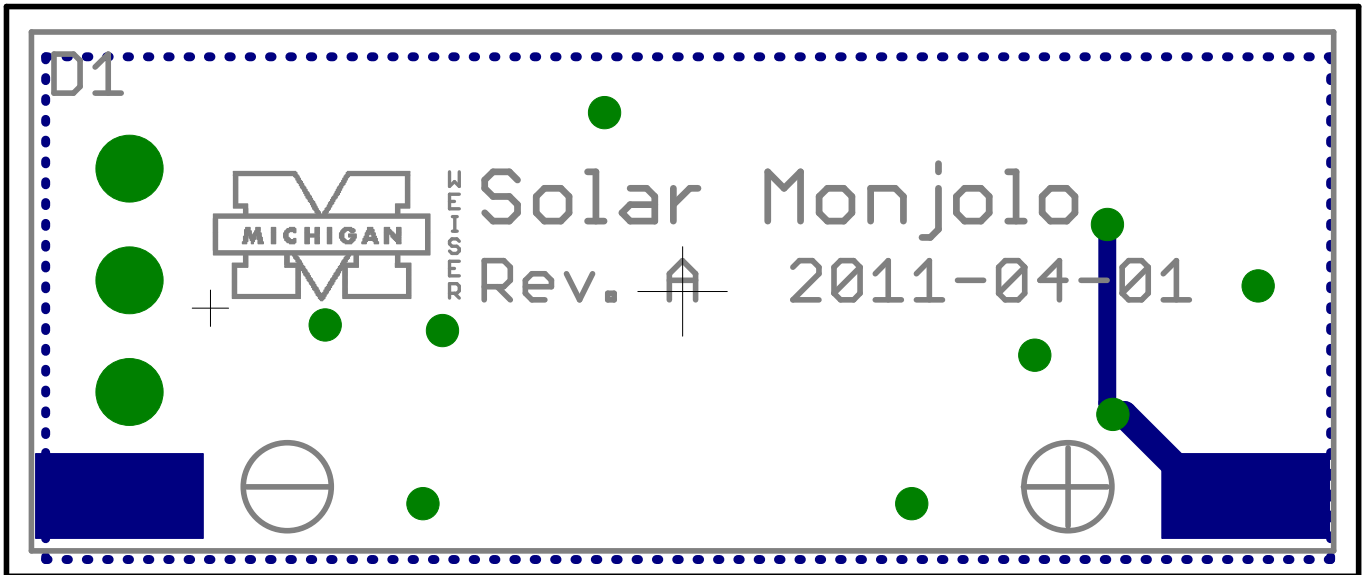
Date: 11/26/13 2:30 PM

Sheet: 1/1

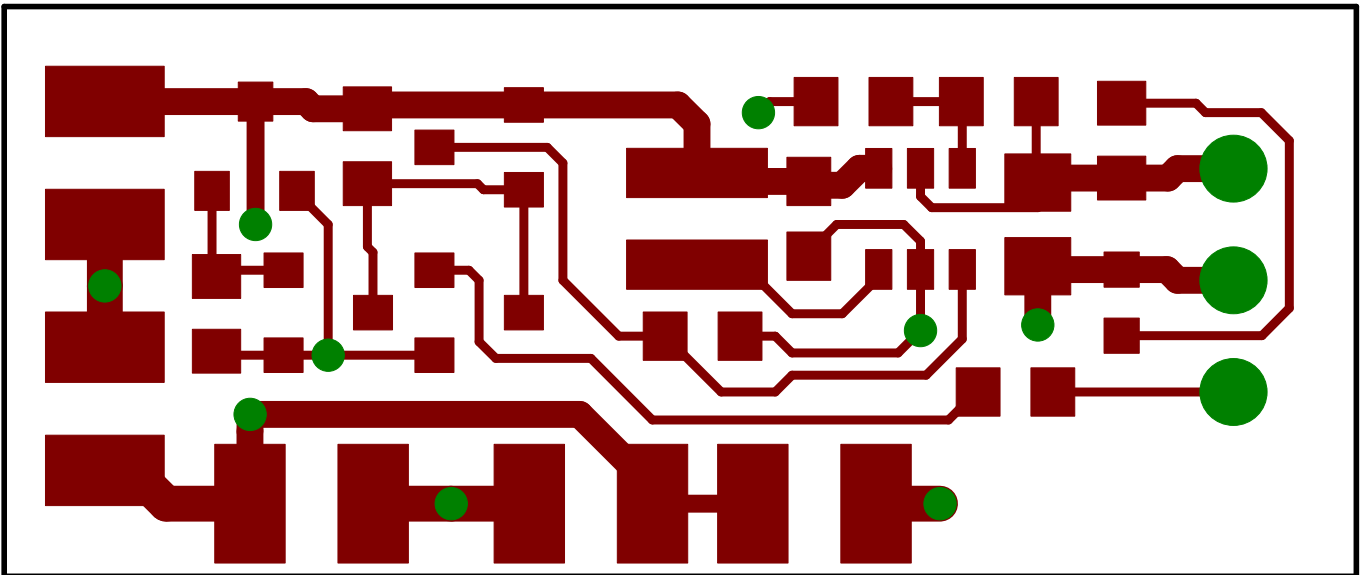
Top and Bottom Layers



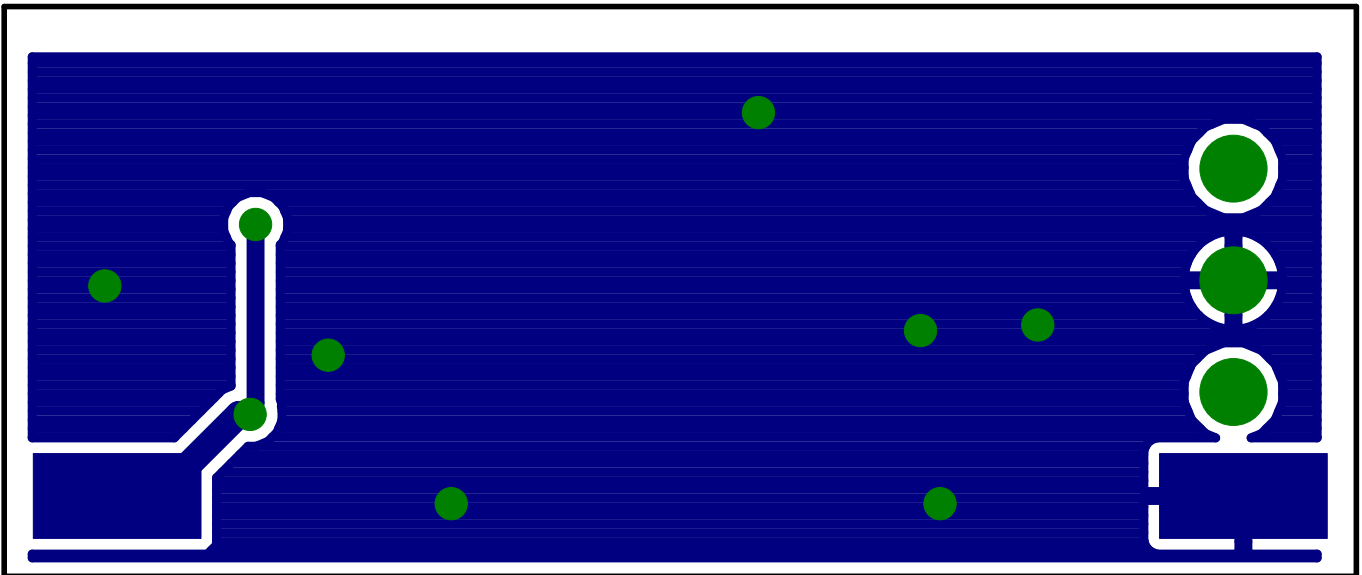


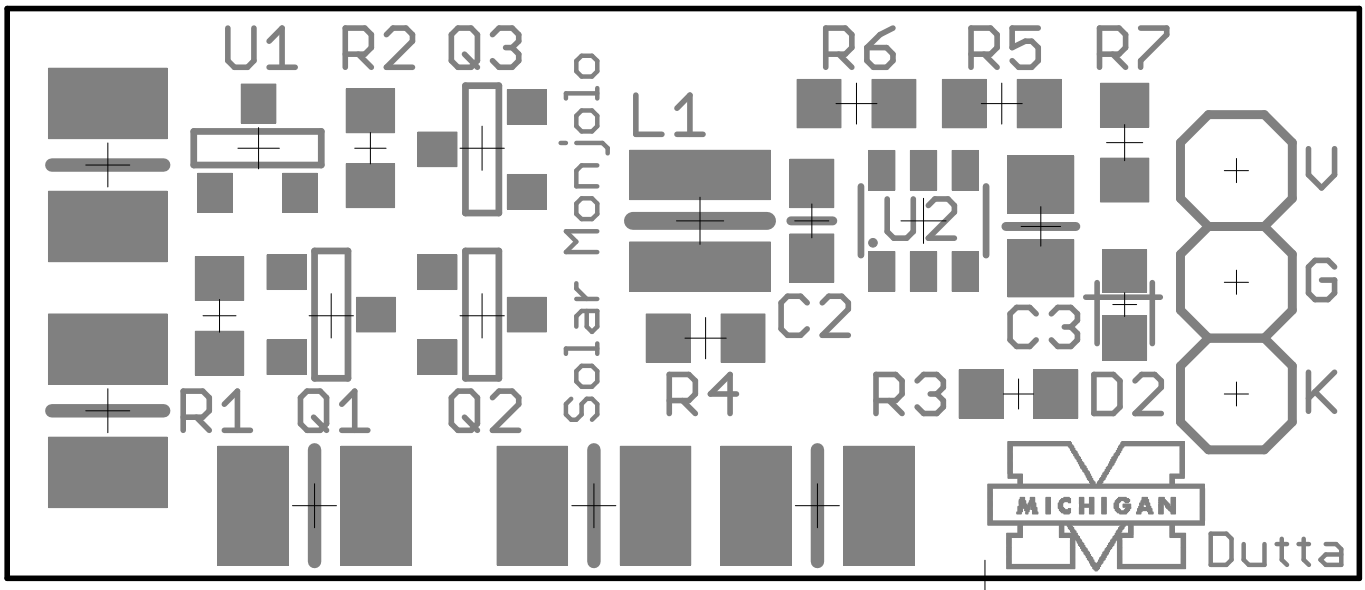


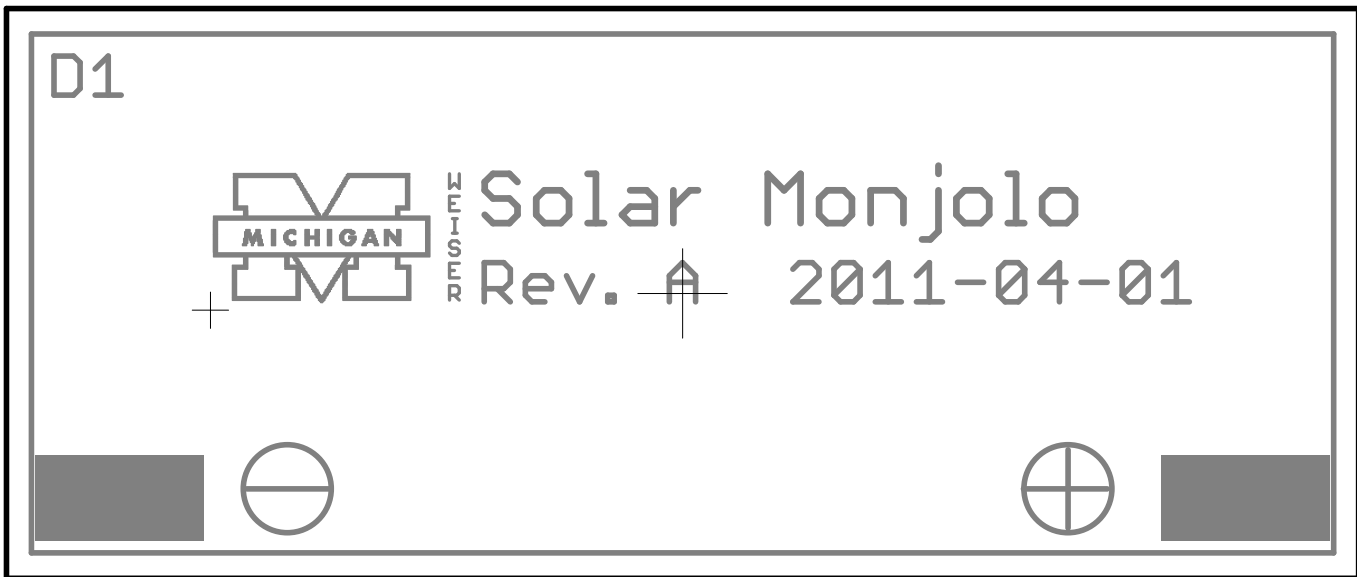
Top Copper Layer



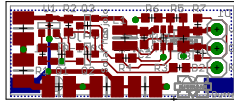
Bottom Copper Layer



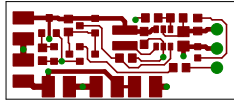




Top and Bottom Layers 1:1 Scale



Top Layer 1:1 Scale



Bottom Copper Layer 1:1 Scale

