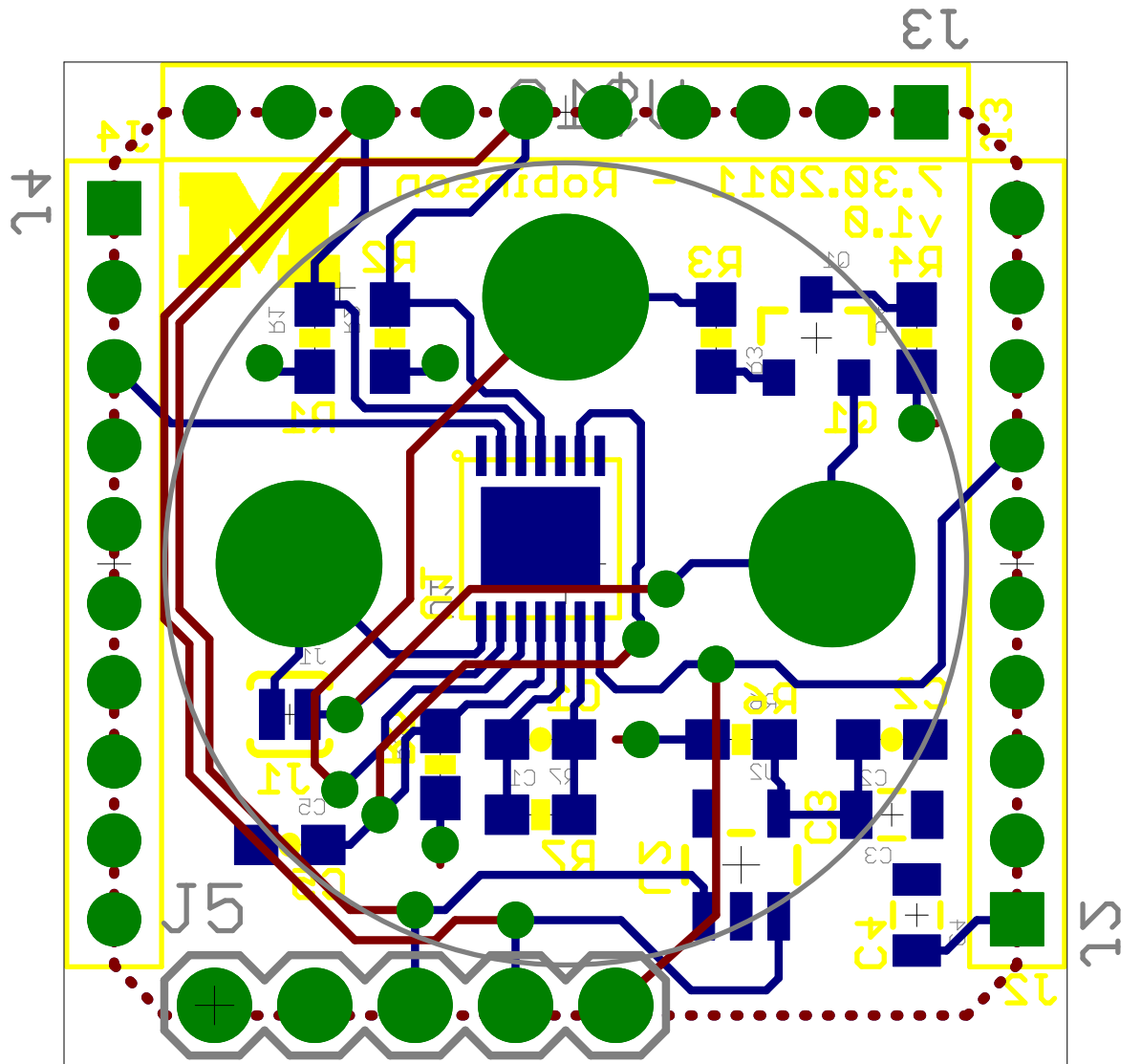
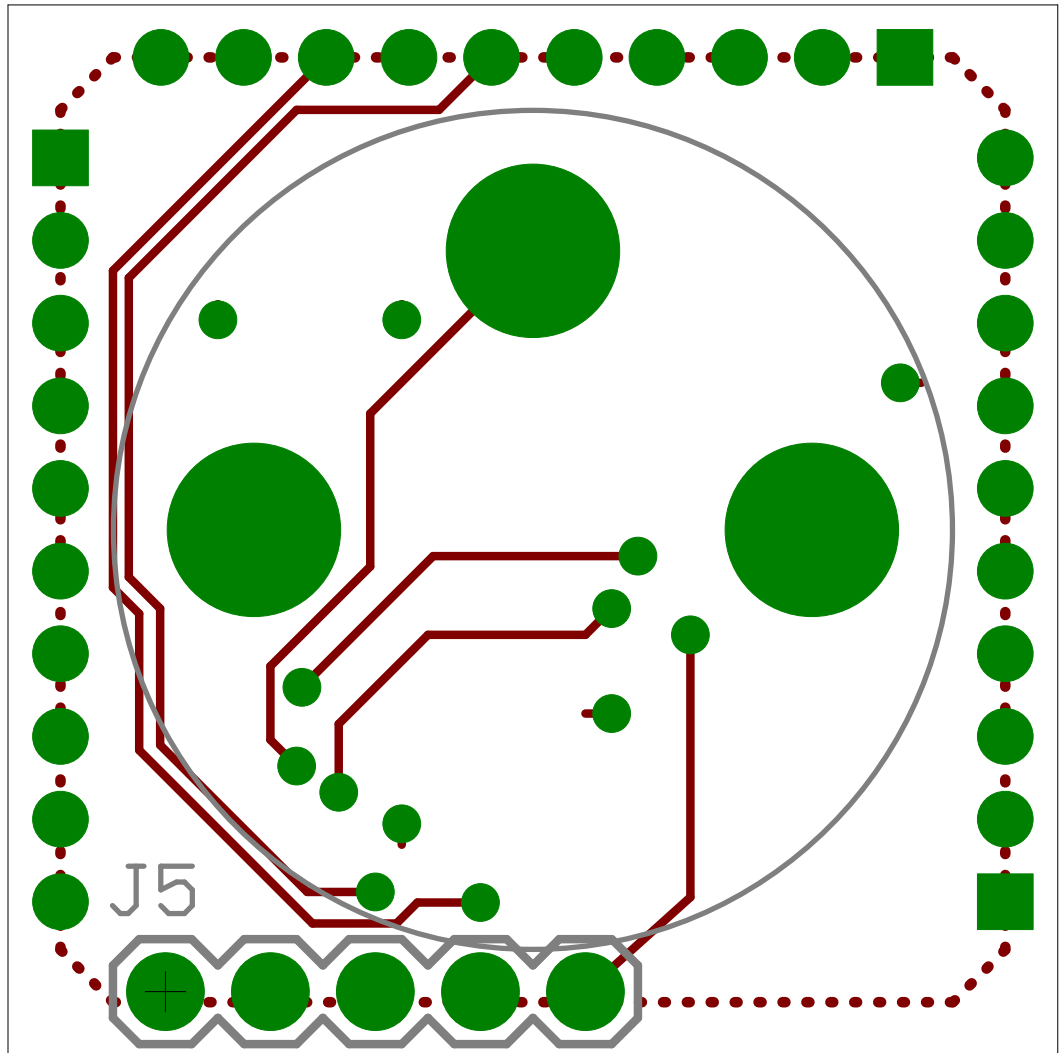
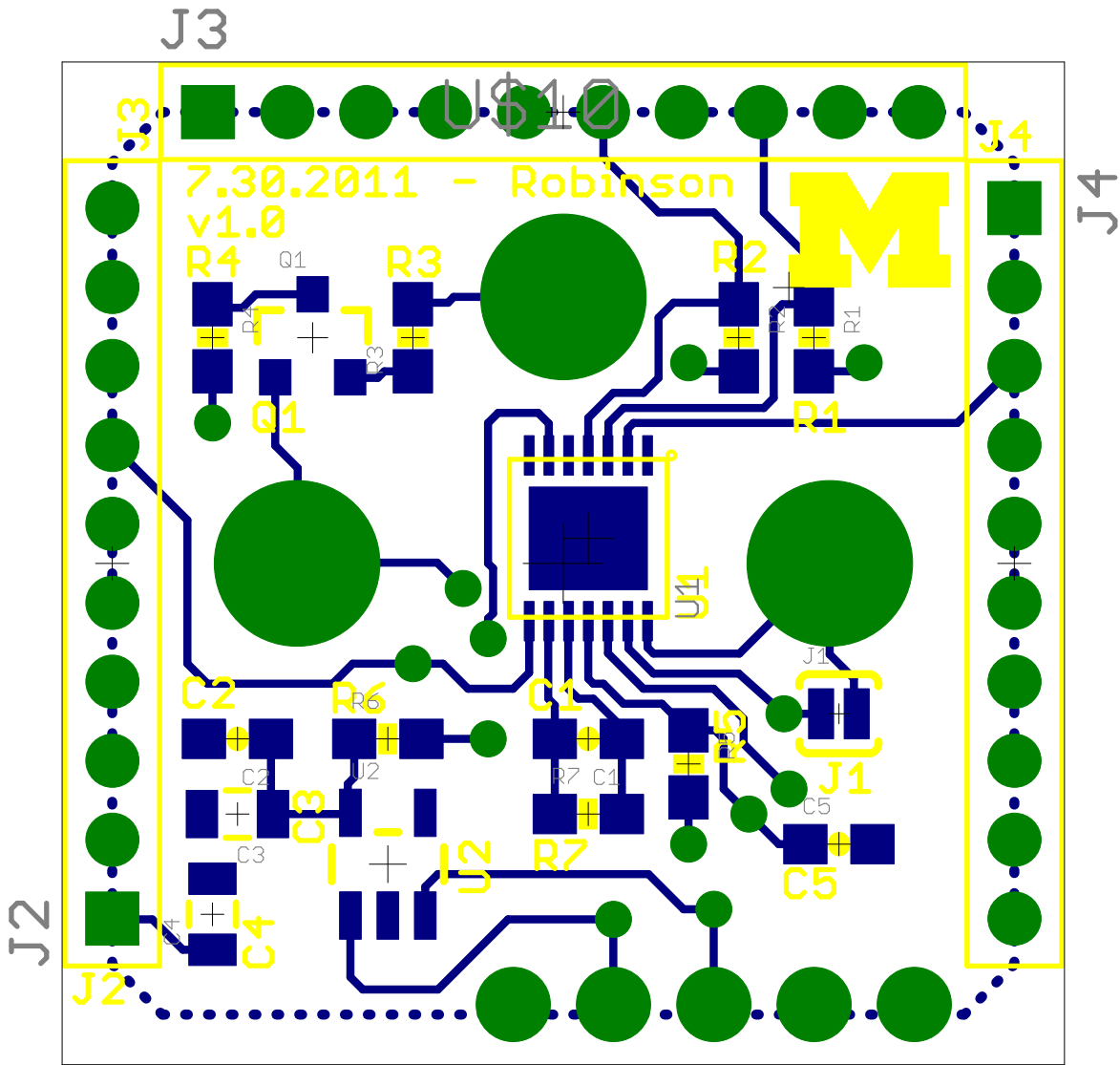


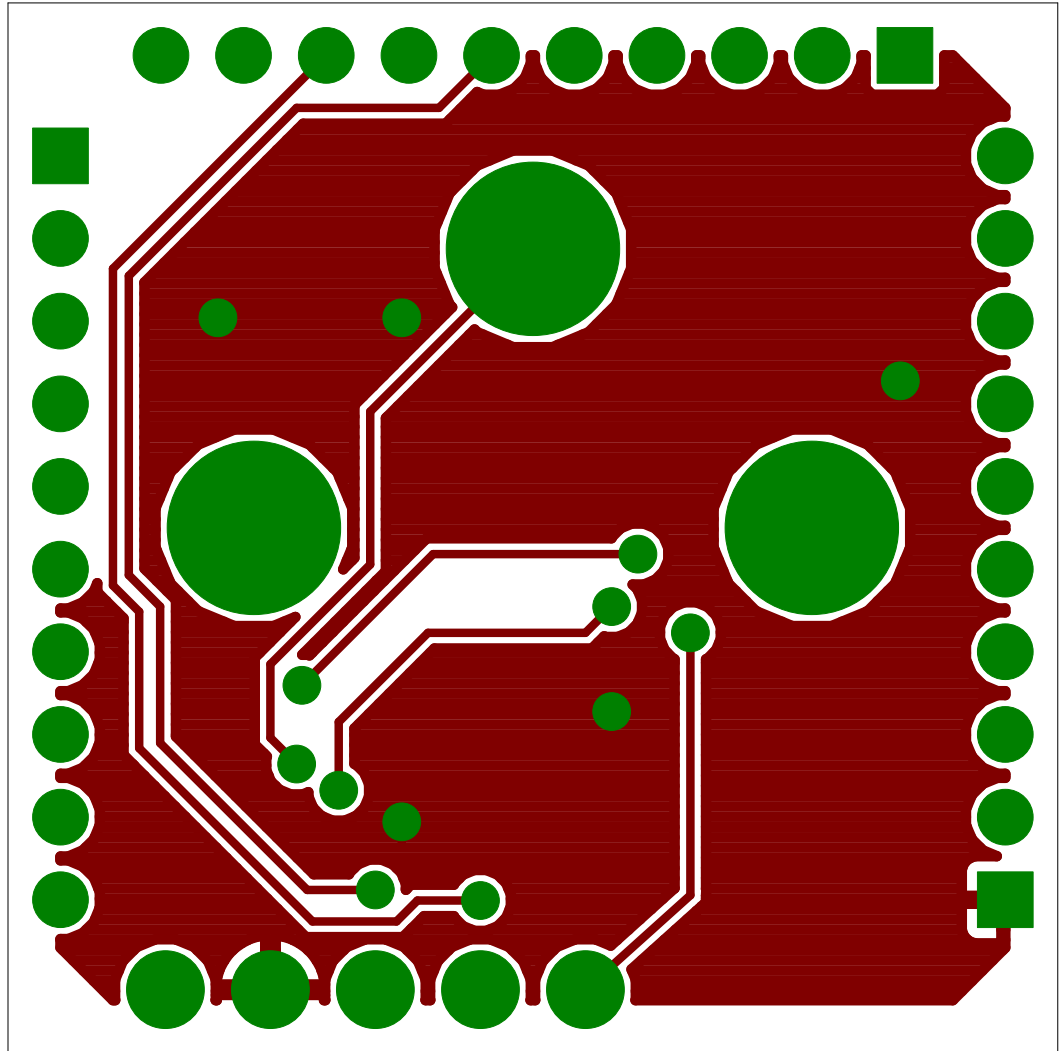
TITLE: main	
Document Number:	REV:
Date: 1/10/14 12:20 AM	Sheet: 1/1



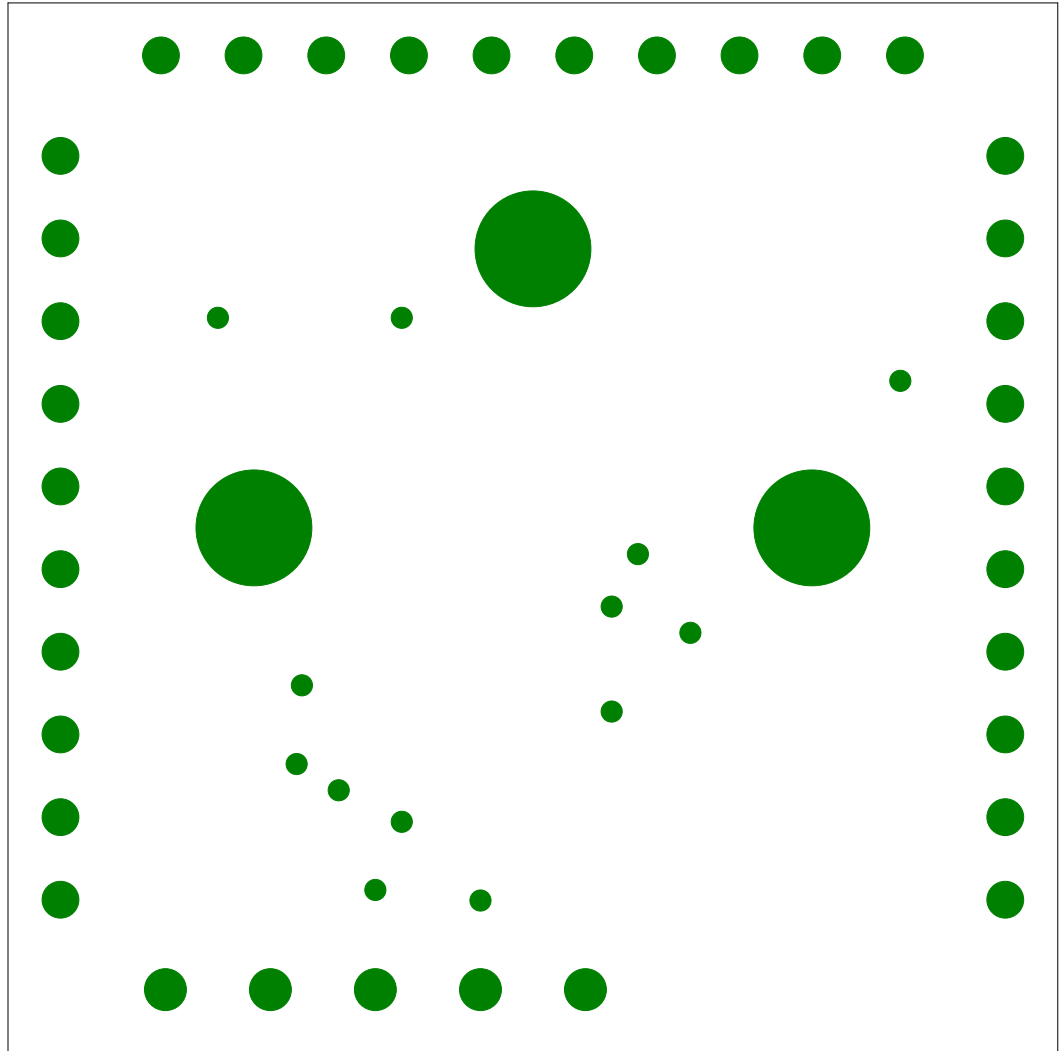


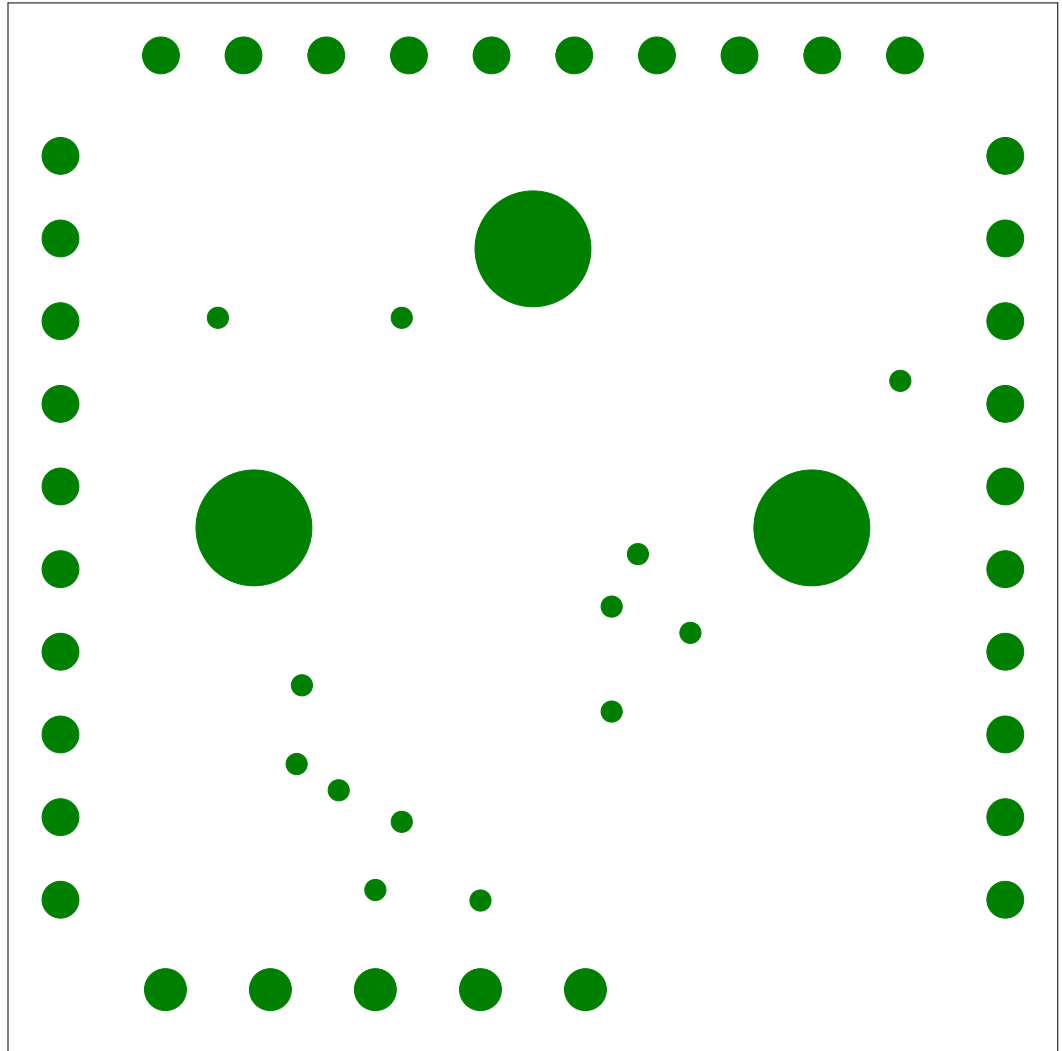


Top Copper Layer

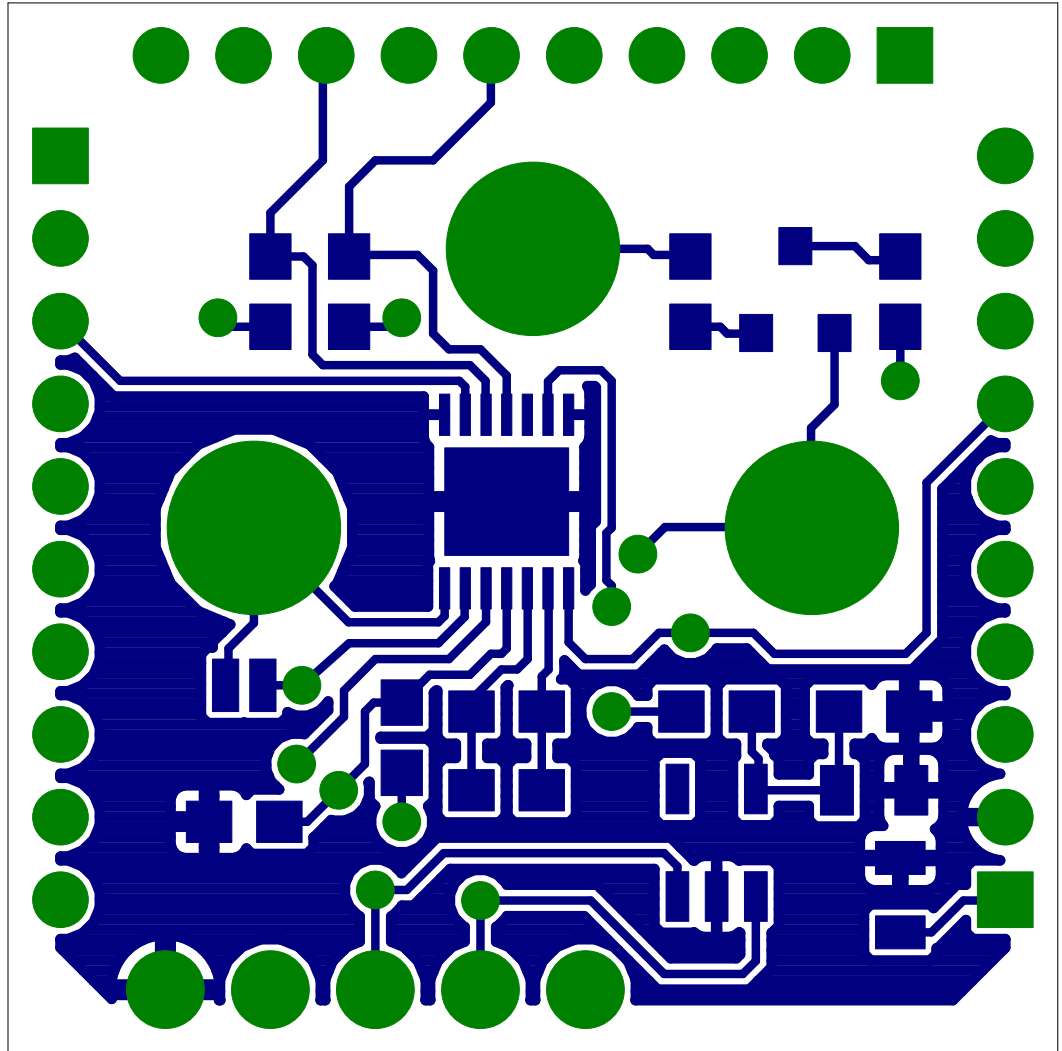


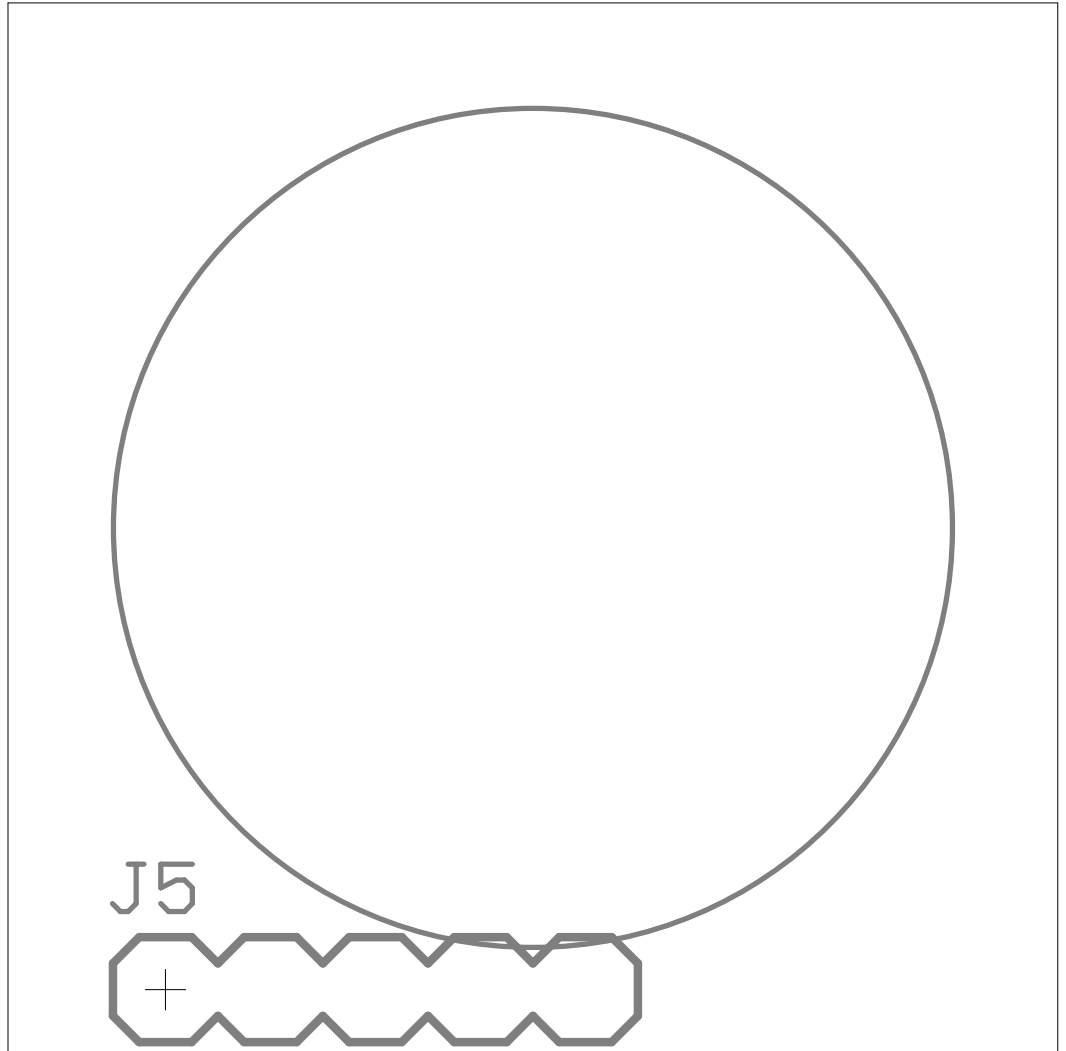
Layer 2 Copper

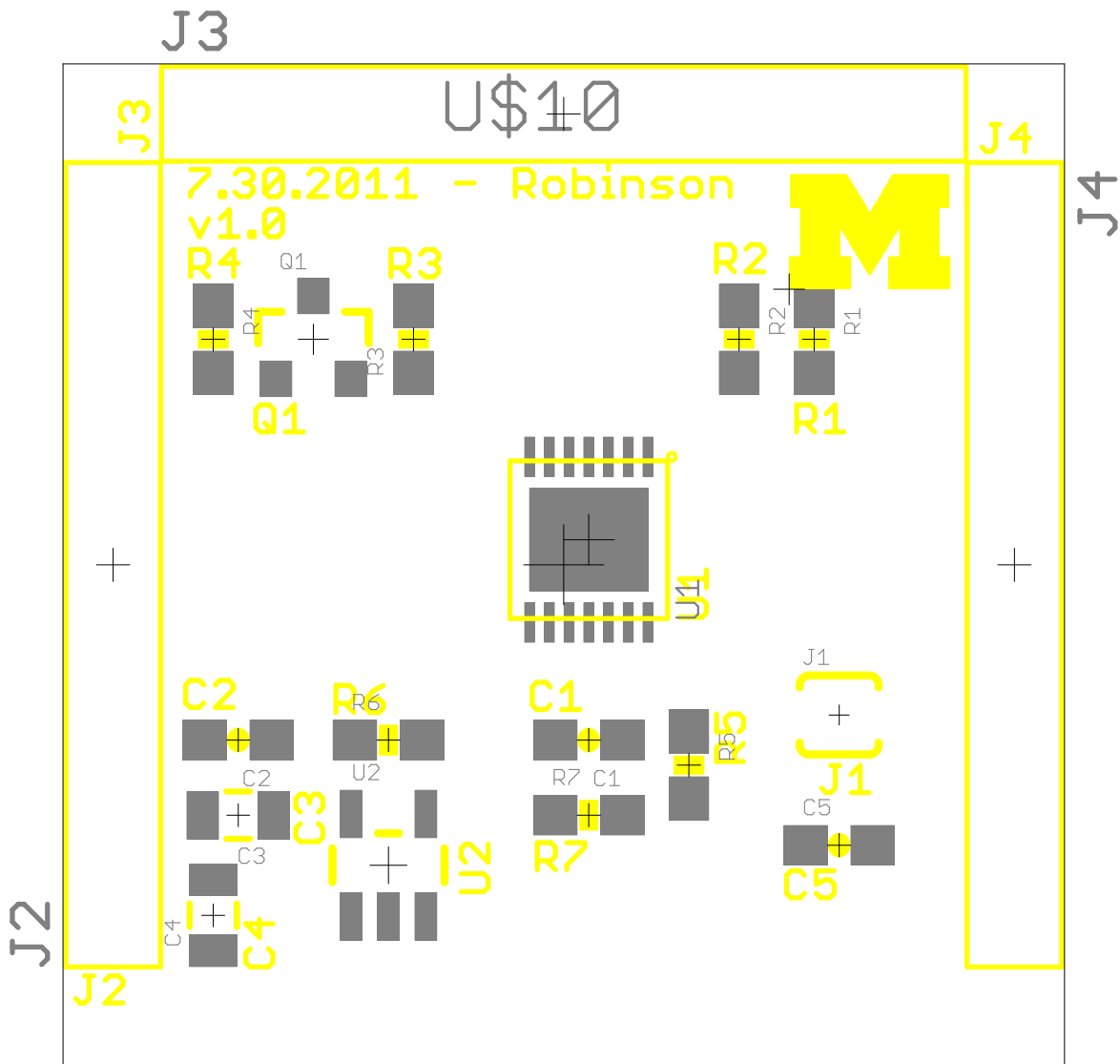




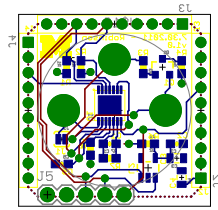
Bottom Copper Layer



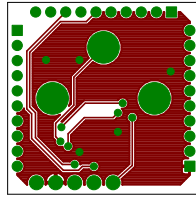


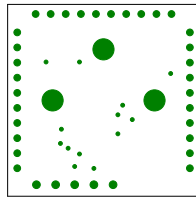


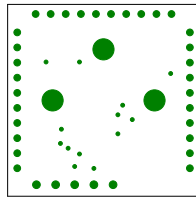
Top and Bottom Layers 1:1 Scale



Top Layer 1:1 Scale







Bottom Copper Layer 1:1 Scale

