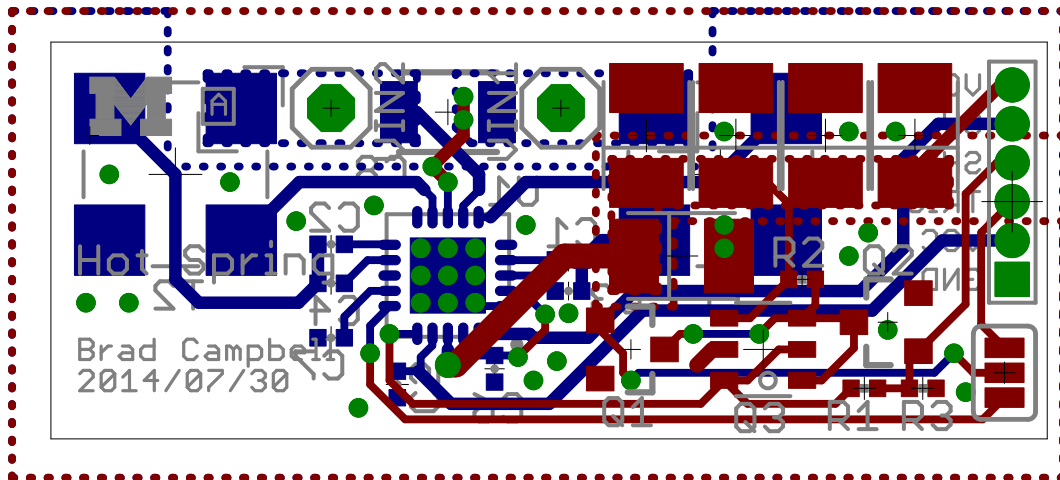
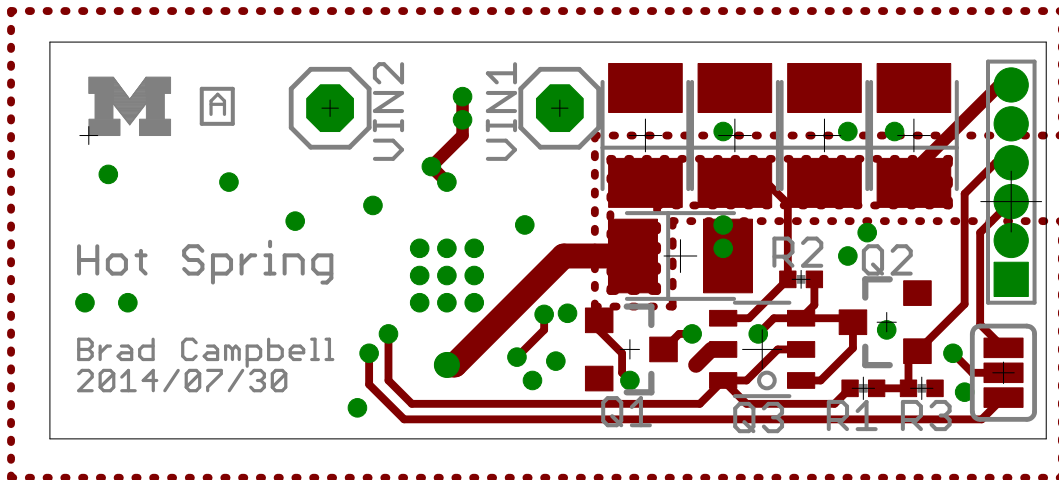


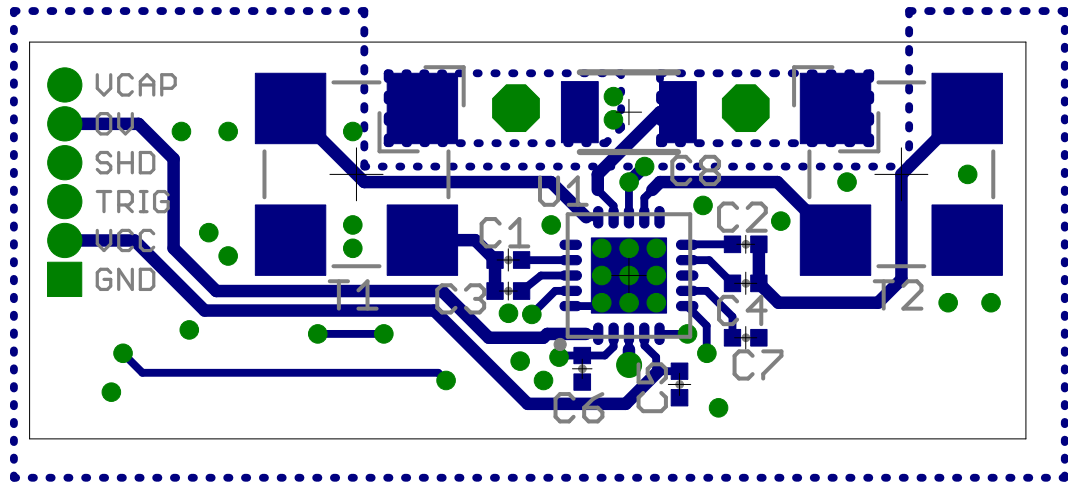
Hot Spring	REV: A
Author: Brad Campbell	
Date: 7/30/14 4:25 AM	Sheet: 1/1

Top and Bottom Layers

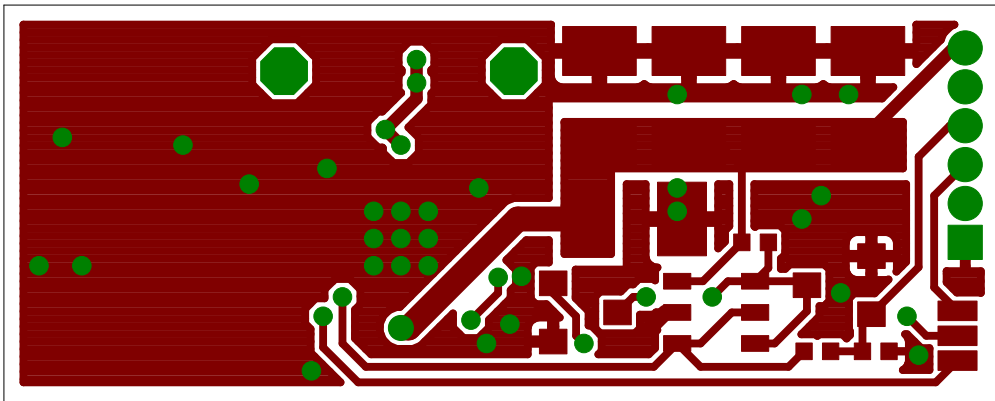




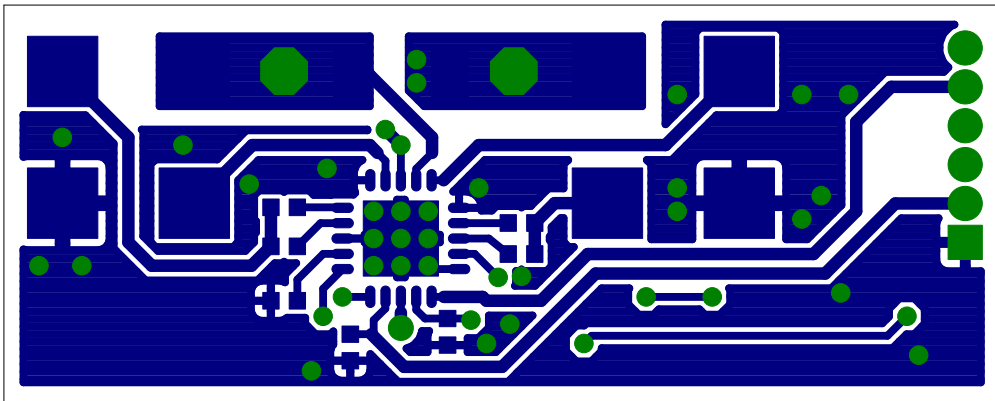
Bottom Layer

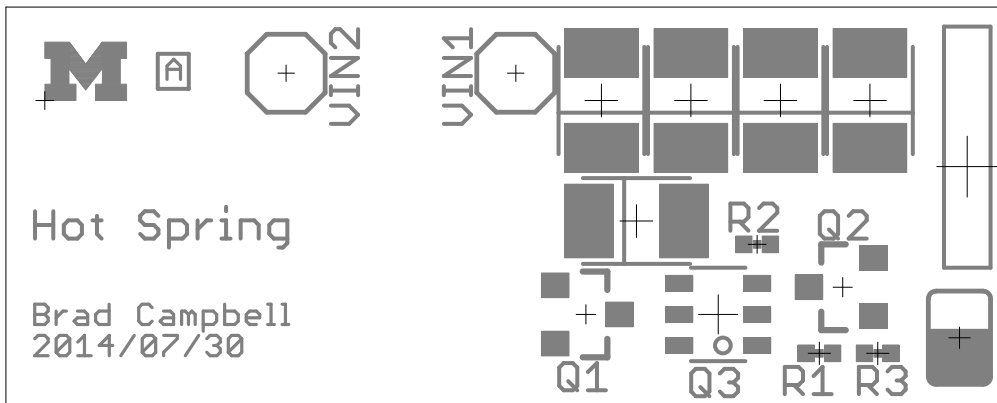


Top Copper Layer

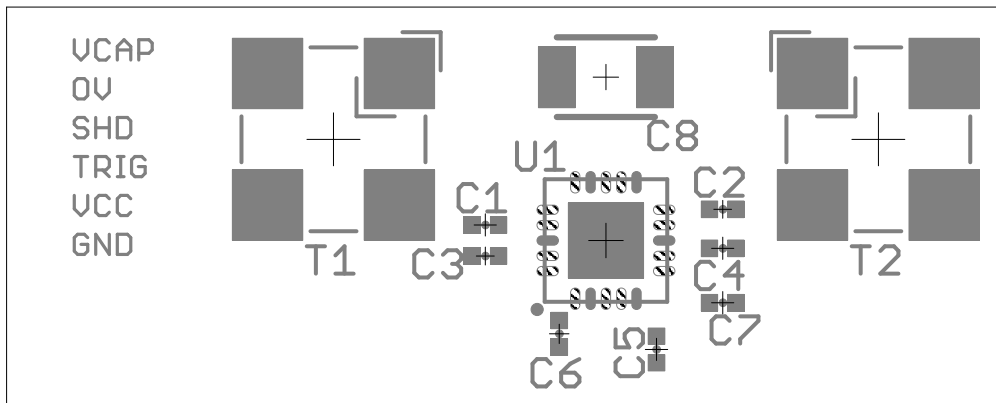


Bottom Copper Layer

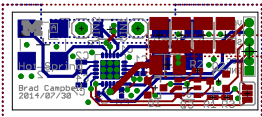




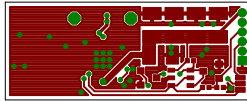
Bottom Paste Layer with Silkscreen



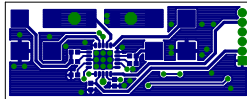
Top and Bottom Layers 1:1 Scale



Top Layer 1:1 Scale



Bottom Copper Layer 1:1 Scale



Sheet1

Qty	Value	Device	Package
2	470pF	CAPACITOR	0402_CAP
2	1000pF	CAPACITOR	0402_CAP
1	0.1uF	CAPACITOR	0402_CAP
1	1uF	CAPACITOR	0402_CAP
1	2.2 uF	CAPACITOR	0402_CAP
1	47uF	CAP1210	1210
5	100uF	1210_CAP_POLARIZED	CAP1210
2	MOSFET-NCHANNELSMD	MOSFET-NCHANNELSMD	SOT23-3
1	DUAL_MOSFET_NP	DUAL_MOSFET_NP	TSOP-6
1	250k	RESISTOR0402_RES	0402_RES
1	470k	RESISTOR0402_RES	0402_RES
1	500k	RESISTOR0402_RES	0402_RES
2	LPR6235-752SMR	LPR6235-752SMR	LPR6235
1	LTC3109EUF	LTC3109EUF	QFN-20-4MM

Sheet1

Parts	Description	COILCRAFT
C1, C2	0402 Capacitor	
C3, C4	0402 Capacitor	
C5	0402 Capacitor	
C6	0402 Capacitor	
C7	0402 Capacitor	
C8	Capacitor	
C9, C10, C11, C12, C13	Capacitor	
Q1, Q2	NMOS	
Q3	MOSFET N/P-CH 20V 2A 6-TSOP	
R1	Resistor	
R2	Resistor	
R3	Resistor	
T1, T2	Transformer 100:1	LPR6235-752SMR
U1	IC BOOST CONVERTER PMU 20QFN	

DIGIKEY

NEWARK

445-1255-1-ND

445-1256-1-ND

445-4952-1-ND

445-13185-1-ND

445-4999-1-ND

399-5515-1-ND

478-3130-1-ND

FDV301NCT-ND

SI3585DV-T1-E3CT-ND

RHM249KCDCT-ND

RHM470KCDCT-ND

RHM499KCDCT-ND

LTC3109EUF#PBF-ND 84R6674